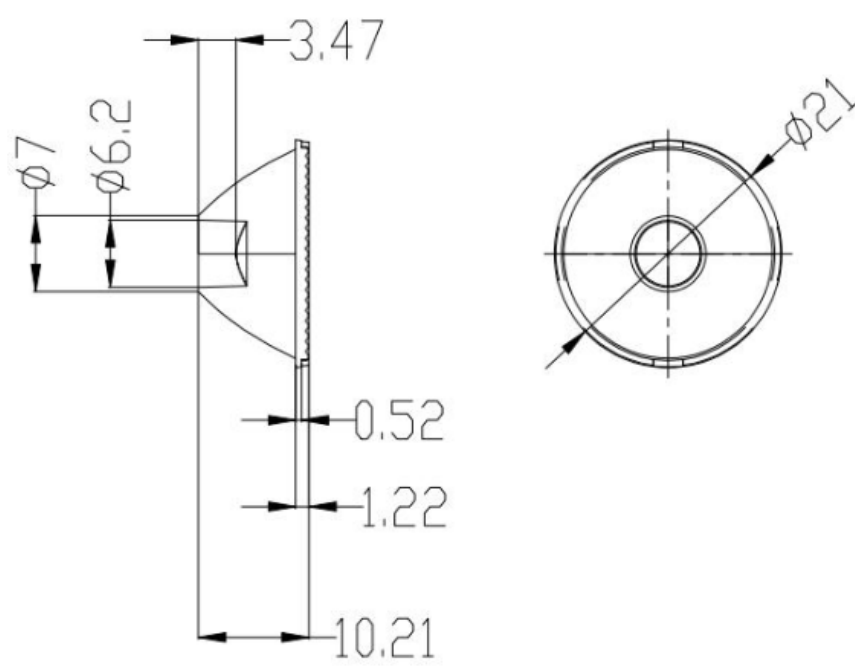
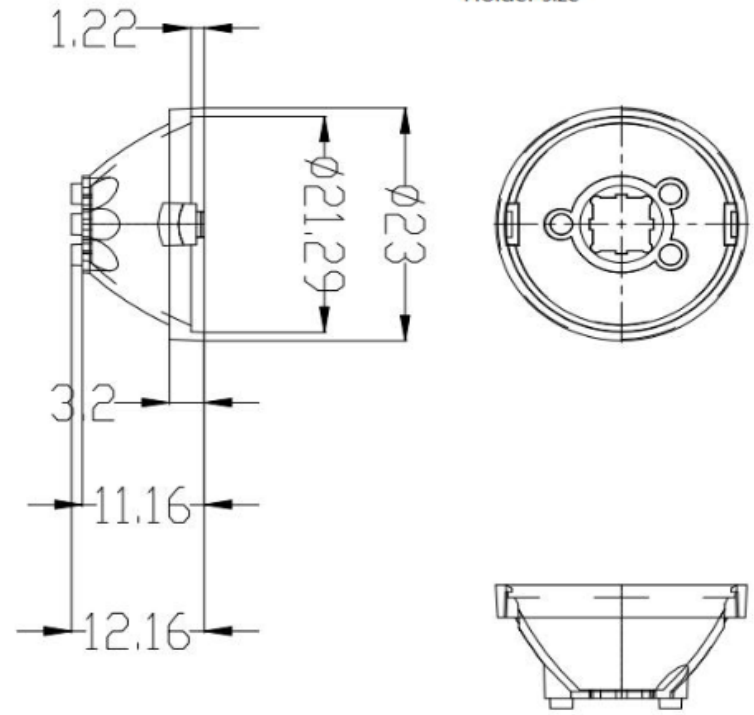


lens size



Holder size



- NOTE:
1. ALL SURFACES NO SHRINKAGE,BURRS,JUNCTION LINES ALLOWED
 2. CRITICAL DIMENSIONS ARE INDICATED ON THE DRAWING
 3. ALL INDICATED SURFACES ARE POLISHED, THE OPTICAL SURFACE POLISHING MUST BE SPI-A1 STANDARD
 4. THE PARTS IS COMPLIANT TO ROHS AND REACH STANDARD

CHANGE					PART		颜色	Transparency		SCALE	1:1	ASAHI OPTICS LIMITED 料号 PART NO. ALS23D1560G 品名 Product Single lens
					0 ~ 10	±0.05	COLOR			UNIT	mm	
					10 ~ 20	±0.10	材质	PC+PMMA		SIZE	A4	
					20 ~ 30	±0.15	MATERIAL	C.Y.CAI	2021-05-25	SHEET	≠	
	A/0	2021-05-21	NEW		30 ~	±0.20	设计					
版次	日期	变更说明		变更	核准	设计						
REV	DATE	DESCRIPTION		CHANGE	APPROVE	核准						
						Angle						
						± 1°						
						DIM						
						TOL						