

1 2 3 4 5 6 7 8

A

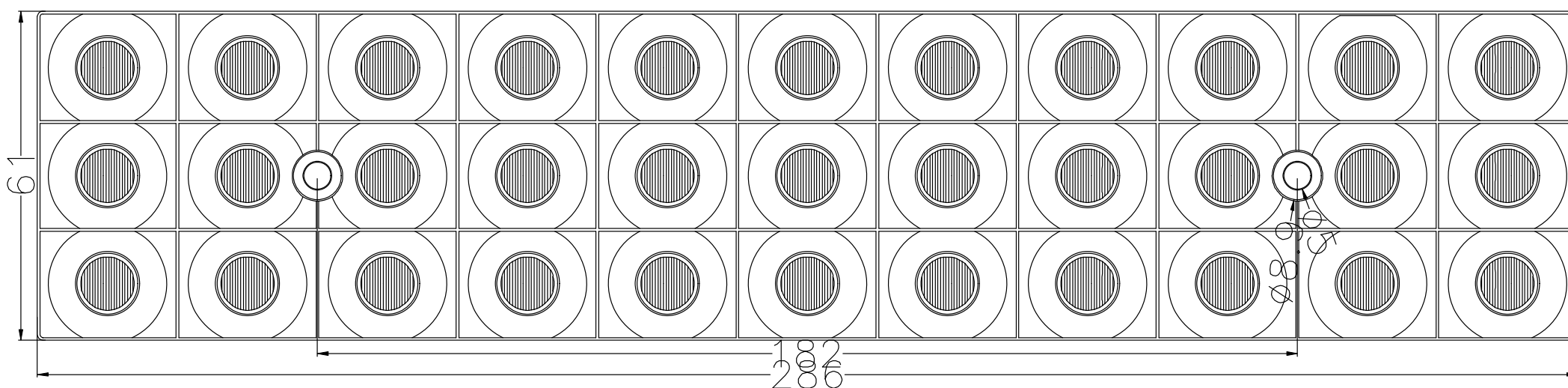
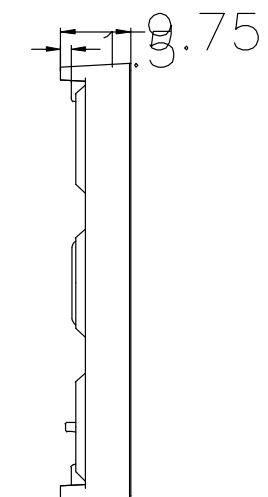
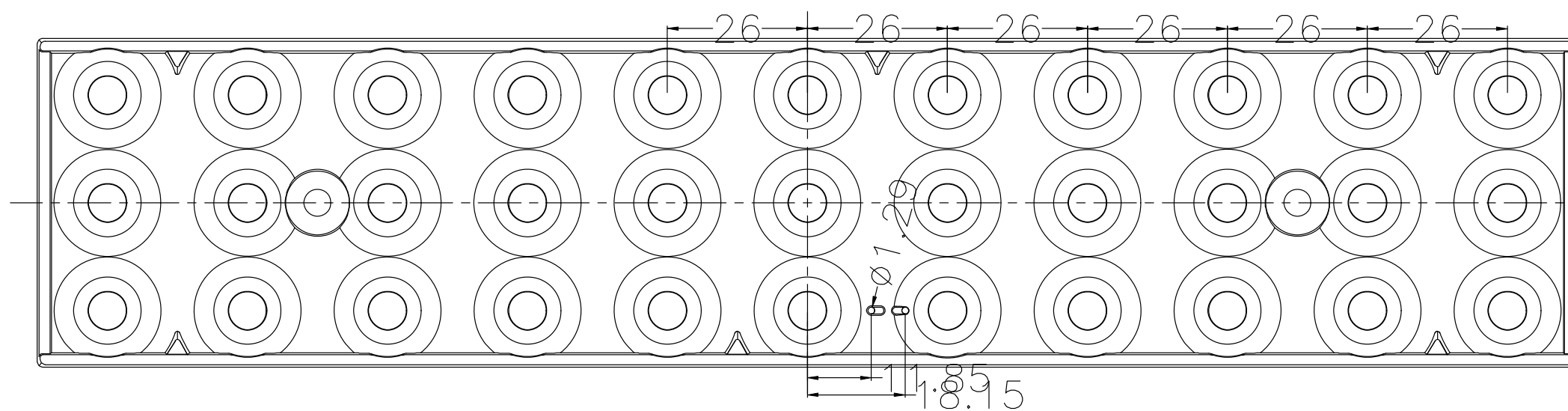
B

C

D

E

F



- NOTE:
1. ALL SURFACES NO SHRINKAGE,BURRS,JUNCTION LINES ALLOWED
  2. CRITICAL DIMENSIONS ARE INDICATED ON THE DRAWING
  3. ALL INDICATED SURFACES ARE POLISHED, THE OPTICAL SURFACE POLISHING MUST BE SPI-A1 STANDARD
  4. THE PARTS IS COMPLIANT TO ROHS AND REACH STANDARD

CHANGE						PART		颜色	Transparency		SCALE	1:1		
						0 ~ 10	±0.05	COLOR			UNIT	mm		
						10 ~ 20	±0.10	材质	PC+PMMA		SIZE	A4		
	A/0	2020-05-20	NEW			20 ~ 30	±0.15	MATERIAL	C.Y.CAI	2020-05-20	SHEET	品名	料号 PART NO.	ASL286D61H33LED30G/60G/90G
	版次	日期	变更说明	变更	核准	30 ~	±0.20	设计			品名 Product			High bay lens
REV	DATE	MODIFICATION DESCRIPTION	CHANGE	APPROVE	Angle	± 1°	DESIGN							
					DIM	TOL	核准							
							APPROVE							

1 2 3 4 5 6 7 8