



# ASAHI OPTICS LIMITED

8F Yueshang Chanye Building, No.1 of TangKeng LuKou Dong , GuanTian, Bao'Shi Dong Road,Shiyan,Bao'an,Shenzhen 518108, China. Tel:+86-755-85241681 Email: [optics@asahi-optics.com](mailto:optics@asahi-optics.com) [www.asahi-optics.com](http://www.asahi-optics.com)

## Pedestrian crossings LENS SPECIFICATION



PX-L



PX-R



# ASAHI OPTICS LIMITED


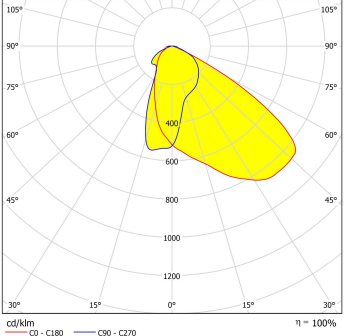
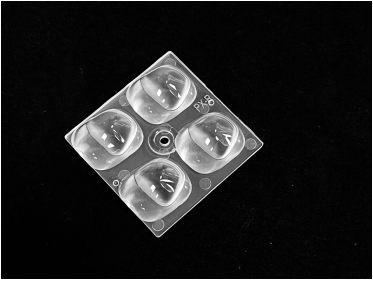
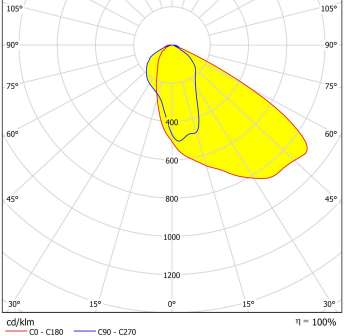
8F Yueshang Chanye Building, No.1 of TangKeng LuKou Dong , GuanTian, Bao'Shi Dong Road,Shiyan,Bao'an,Shenzhen 518108, China. Tel:+86-755-85241681 Email: [optics@asahi-optics.com](mailto:optics@asahi-optics.com) [www.asahi-optics.com](http://www.asahi-optics.com)

## ▲ LED type



5050

## ▲ Photometric data (Simulated)

Model No.	Picture	Beam Angle	Simulated IES
ARX50D4LED5050PX-L		Asy	
ARX50D4LED5050PX-R		Asy	



# ASAHI OPTICS LIMITED

8F Yueshang Chanye Building, No.1 of TangKeng LuKou Dong , GuanTian, Bao'Shi Dong Road,Shiyan,Bao'an,Shenzhen 518108, China. Tel:+86-755-85241681 Email: [optics@asahi-optics.com](mailto:optics@asahi-optics.com) [www.asahi-optics.com](http://www.asahi-optics.com)

## ▲ Lens Part Number

Part No.	Description	Beam angle	Dimension	Material	LED Type
ARX50D4LED5050PX-L	pedestrian crossings for left side	Asy	50mm	PMMA	5050
ARX50D4LED5050PX-R	pedestrian crossings for right side	Asy	50mm	PMMA	5050

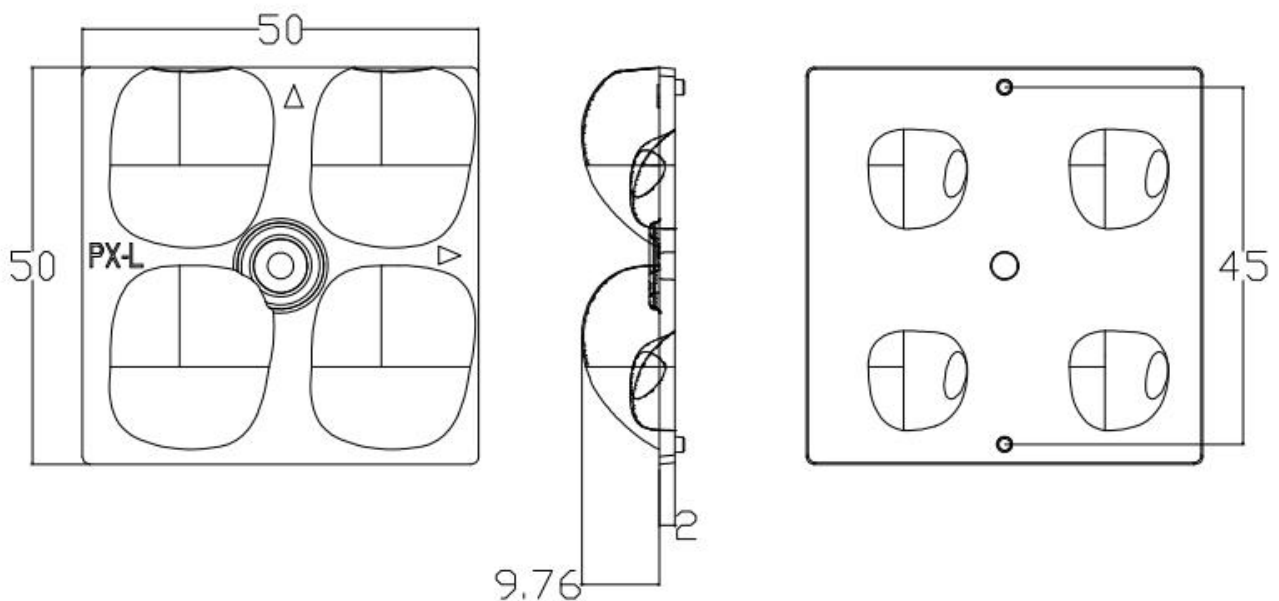
## ▲ 1.Mechanical Specification

### ● 1. Fixing Method

Glue     Screw     Tape     Fixing-ring     Frame

## ▲ 2. Lens Dimension

### ● Model No.: ARX50D4LED5050PX-L

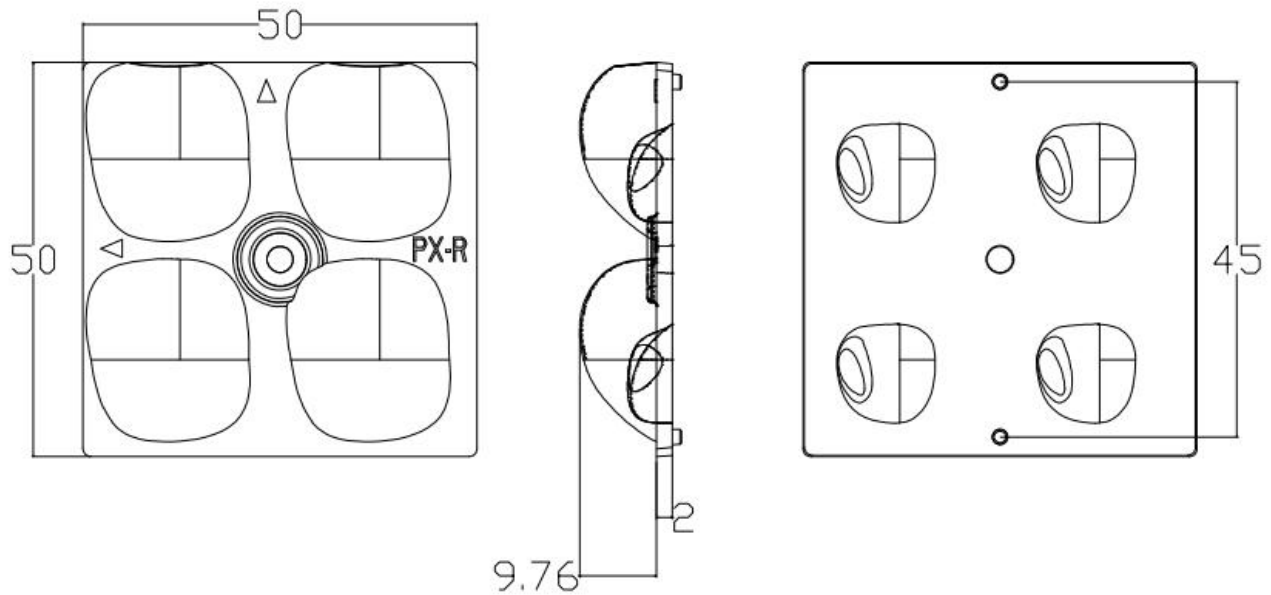




# ASAHI OPTICS LIMITED

8F Yueshang Chanye Building, No.1 of TangKeng LuKou Dong , GuanTian, Bao'Shi Dong Road,Shiyan,Bao'an,Shenzhen 518108, China. Tel:+86-755-85241681 Email: [optics@asahi-optics.com](mailto:optics@asahi-optics.com) [www.asahi-optics.com](http://www.asahi-optics.com)

## ● Model No.: ARX50D4LED5050PX-L



## ● Application





# ASAHI OPTICS LIMITED

8F Yueshang Chanye Building, No.1 of TangKeng LuKou Dong , GuanTian, Bao'Shi Dong Road,Shiyan,Bao'an,Shenzhen 518108, China. Tel:+86-755-85241681 Email: [optics@asahi-optics.com](mailto:optics@asahi-optics.com) [www.asahi-optics.com](http://www.asahi-optics.com)

---

## ▲ Design Idea

- Product combined with Geometric Surface Design,High light efficiency;
- On the basic character of 5050LED series light, show the application of The Combination of optical and construction.

## ▲ Material Information

- Lens Material: Teijin PC 1250Z/ Mitsubishi PMMA VH001
  - PC Operating Temperature Range  $-40^{\circ}\text{C}+110^{\circ}\text{C}$  (upper limit  $+120^{\circ}\text{C}$ )
  - PMMA Operating Temperature Range  $+40^{\circ}\text{C}+90^{\circ}\text{C}$
- \* Average transmittance in visible spectrum 400nm-700nm  $> 90\%$

## ▲ Usage and Maintenance

- 1) If necessary, clean lenses with mild soap, water, and softening cloth.
- 2) Never use any industrial solvent to clean lens, such as cleaning Solvent, Alcohol Sulfuric acid, Ammonia, Urea, Mineral oil, Petrol
- 3) Alternatively the following environment is recommended: Storage temperature:  $-40^{\circ}\text{C}$  to  $+70^{\circ}\text{C}$ , Humidity:30% to 95% HR mar.