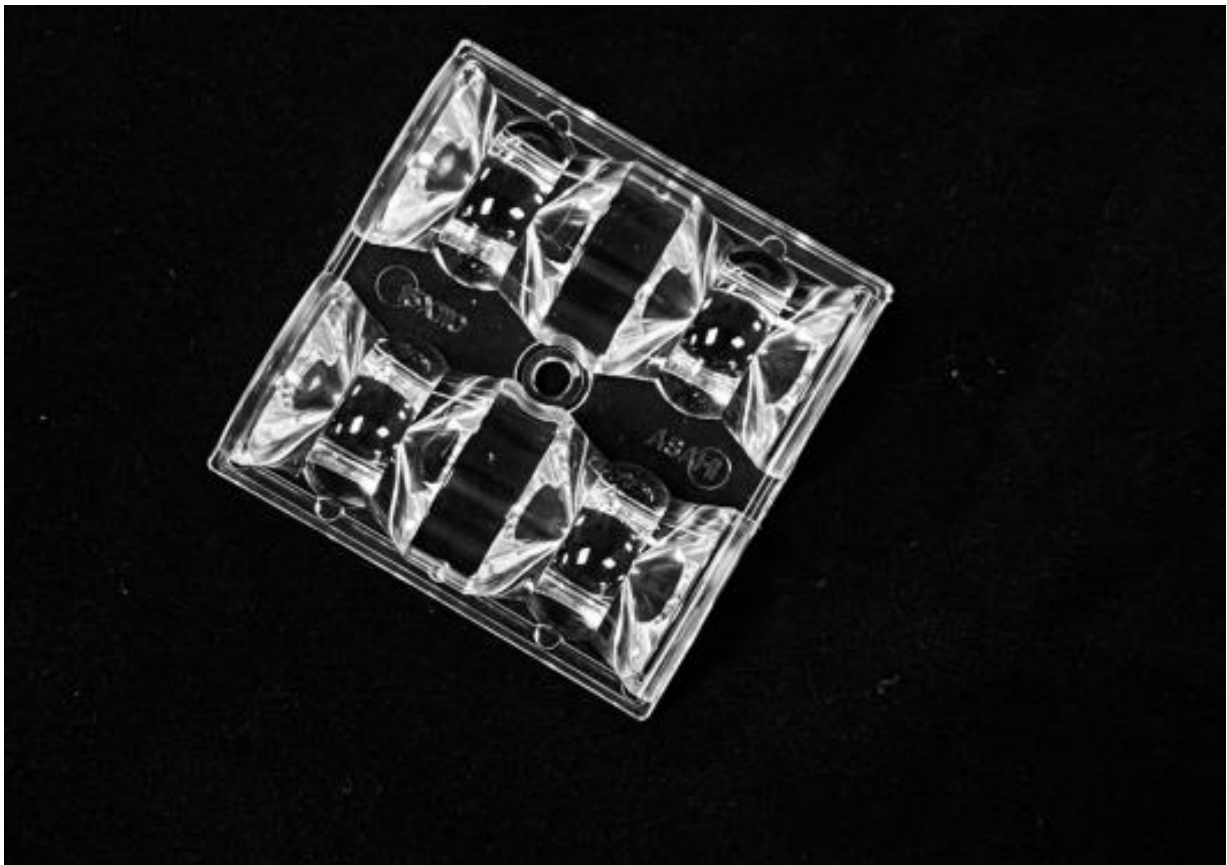




ASAHI OPTICS LIMITED

801 Yueshang Chanye Building, No.1 of TangKeng LuKou Dong , GuanTian, Bao'Shi Dong Road,Shiyan,Bao'an,
Shenzhen 518108, China. Tel:+86-755-85241681 Email: optics@asahi-optics.com www.asahi-optics.com

▲ 2x2 15x110° LENS SPECIFICATION ALHB50D4LED15110G



▲ LED Type: 3535LED

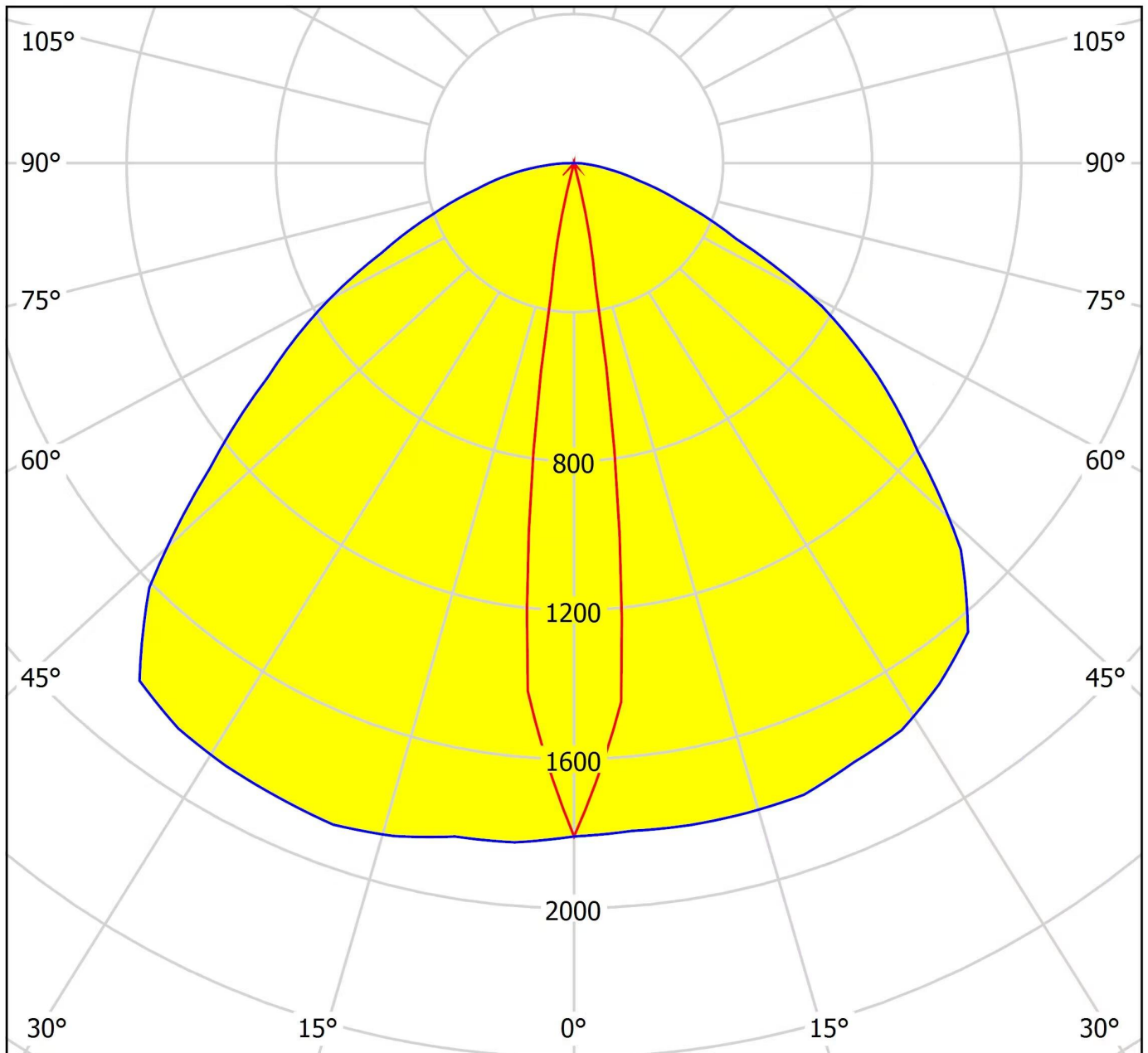




ASAHI OPTICS LIMITED

801 Yueshang Chanye Building, No.1 of TangKeng LuKou Dong , GuanTian, Bao'Shi Dong Road,Shiyan,Bao'an, Shenzhen 518108, China. Tel:+86-755-85241681 Email: optics@asahi-optics.com www.asahi-optics.com

▲ 2x2 15x110° LED LENS Light Distribution



cd/klm

— C0 - C180 — C90 - C270

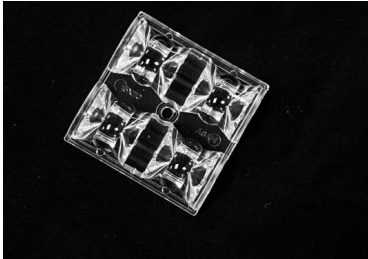
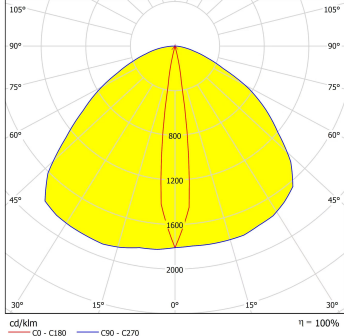
$\eta = 100\%$



ASAHI OPTICS LIMITED

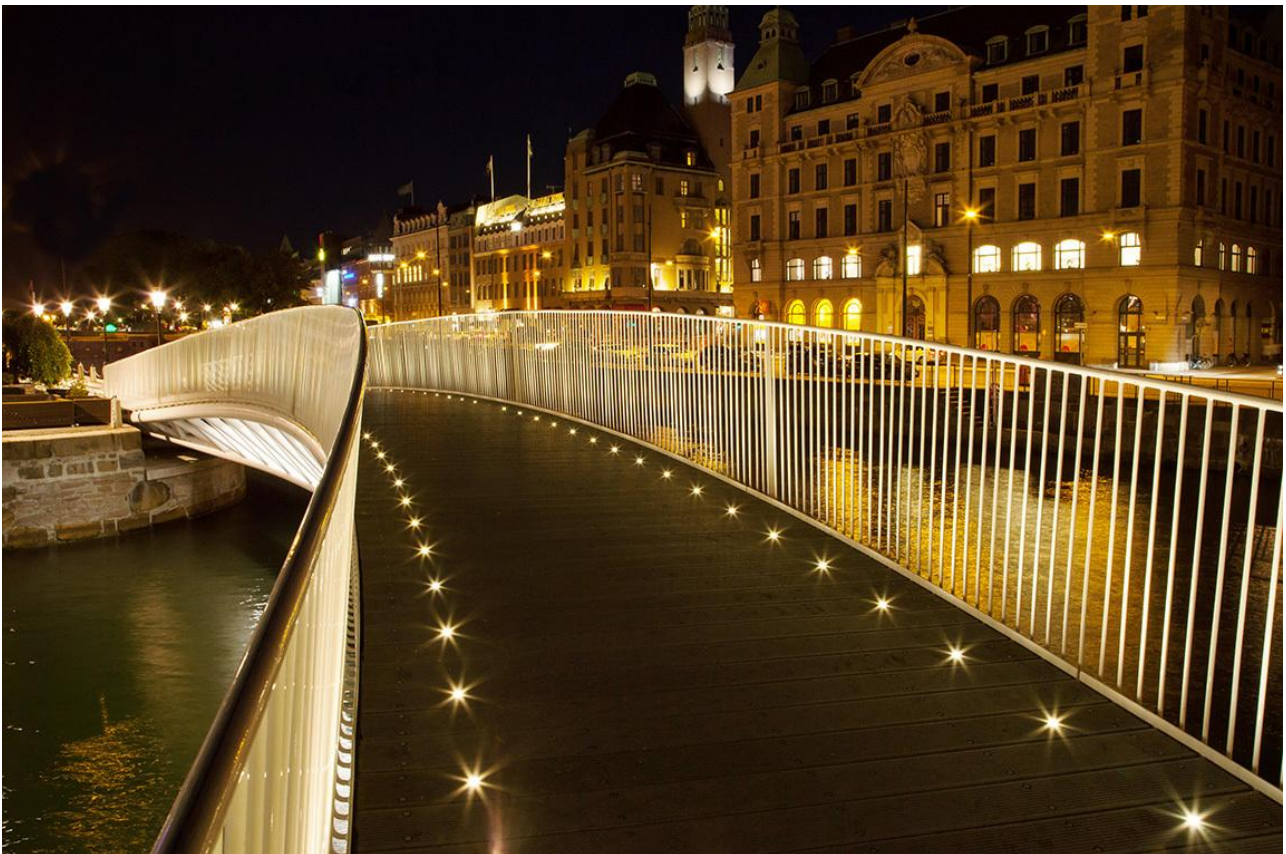
801 Yueshang Chanye Building, No.1 of TangKeng LuKou Dong , GuanTian, Bao'Shi Dong Road,Shiyan,Bao'an, Shenzhen 518108, China. Tel:+86-755-85241681 Email: optics@asahi-optics.com www.asahi-optics.com

▲ Photometric data (Simulated)

| Model No. | Picture | Beam Angle | Simulated IES |
|-------------------|---|----------------------|--|
| ALHB50D4LED15110G |  | oval beam 15x110° |  |

▲ Application :

Aisle lighting, Indoor/outdoor lighting, wallwasher lighting, etc.





ASAHI OPTICS LIMITED

801 Yueshang Chanye Building, No.1 of TangKeng LuKou Dong , GuanTian, Bao'Shi Dong Road,Shiyan,Bao'an, Shenzhen 518108, China. Tel:+86-755-85241681 Email: optics@asahi-optics.com www.asahi-optics.com

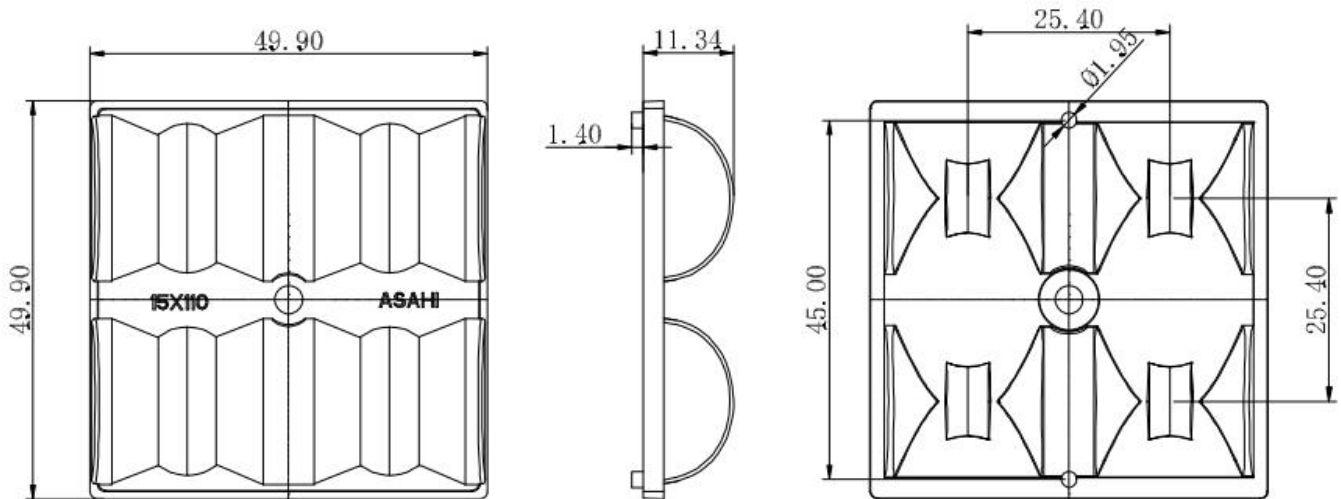
▲ 1.Mechanical Specification

● 1. Fixing Method

- Glue Screw Tape Fixing-ring Frame

▲ 2. Lens Dimension

- Model No.: **ALHB50D4LED15110G**





ASAHI OPTICS LIMITED

801 Yueshang Chanye Building, No.1 of TangKeng LuKou Dong , GuanTian, Bao'Shi Dong Road,Shiyan,Bao'an, Shenzhen 518108, China. Tel:+86-755-85241681 Email: optics@asahi-optics.com www.asahi-optics.com

▲ Features & Typical Applications

- High efficiency by PMMA & PC material and luminance uniformity
- 2x2 15x110° lenses are usually used for indoor and outdoor lighting, such as landscape lighting, building lighting, billboard lighting, stage lighting, etc. Due to its unique light projection angle, it can achieve long-distance and large-area lighting effects, which is suitable for focusing on specific areas or wide lighting needs.
- Optimized optical design with high light intensity and good durability of lens life time

▲ Material Information

- Lens Material: Teijin PC 1250Z/ Mitsubishi PMMA VH001
 - PC Operating Temperature Range -40°C+110°C (upper limit +120°C)
 - PMMA Operating Temperature Range +40°C+90°C
- * Average transmittance in visible spectrum 400nm-700nm > 90%

▲ Usage and Maintenance

- 1) If necessary, clean lenses with mild soap, water, and softening cloth.
- 2) Never use any industrial solvent to clean lens, such as cleaning Solvent, Alcohol Sulfuric acid, Ammonia, Urea, Mineral oil, Petrol
- 3) Alternatively the following environment is recommended: Storage temperature: -40°C to +70°C, Humidity:30% to 95% HR mar.