

1 2 3 4 5 6 7 8

A

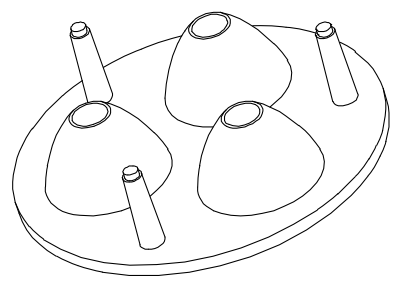
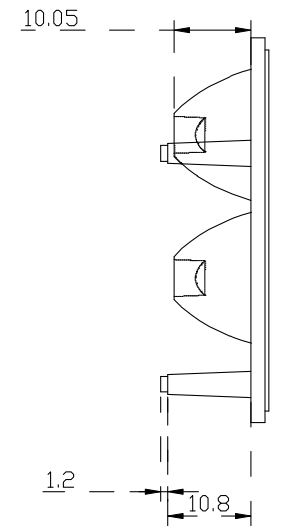
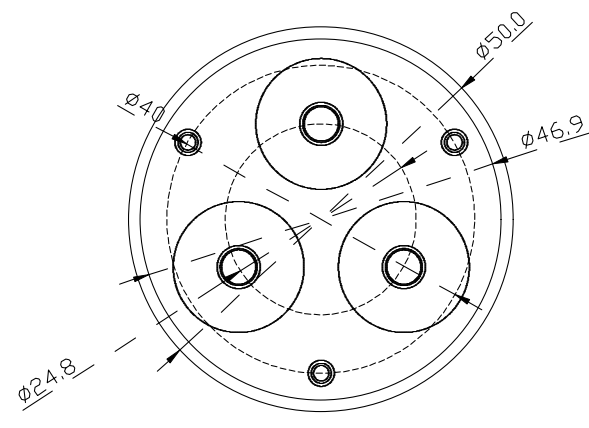
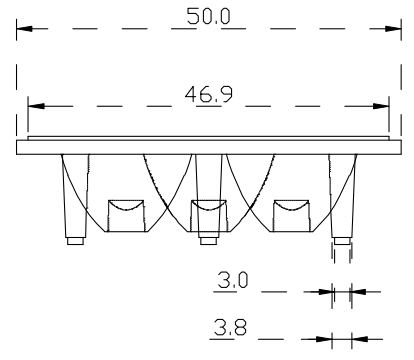
B

C

D

E

F



### General Characteristics

#### A: MATERIL:

1. LENS: optical grade PMMA ( Acrylic plastic ),Because of measured using 3mm thick Optical Grade PMMA,Average transmittance in visible spectrum(400-700nm)>90%.

#### B: Technical information

1. Angle: 10° 15° 20° 25° 30° 38° 45° 60° 80° viewing angle
2. Endure temperature: -40deg C / +80deg C
3. LED series: "3535" ,"2525"

#### C: NOTE:

1. Handling: As never touch the outside surfaces of the lenses with fingers,finger oils and contamination will absorb or refract light.So always use gloves to handle lenses and/or handle the lenses only by the flange .
2. Cleaning: Use only soap and water to clean the surfaces and lenses.(Clean lenses only if necessary).Never expose the lenses to solvents such as alcohol,as it will damage the plastic.

#### NOTE:

1. ALL SURFACES NO SHRINKAGE,BURRS,JUNCTION LINES ALLOWED
2. CRITICAL DIMENSIONS ARE INDICATED ON THE DRAWING
3. ALL INDICATED SURFACES ARE POLISHED, THE OPTICAL SURFACE POLISHING MUST BE SPI-A1 STANDARD
4. THE PARTS IS COMPLIANT TO ROHS AND REACH STANDARD

|        |     |            |              |        |         |         |       |         |              |            |       |          |  |                      |  |              |
|--------|-----|------------|--------------|--------|---------|---------|-------|---------|--------------|------------|-------|----------|--|----------------------|--|--------------|
| CHANGE |     |            |              |        |         | PART    |       | 颜色      | Transparency |            | SCALE | 1:1      |  | ASAHI OPTICS LIMITED |  |              |
|        |     |            |              |        |         | 0 ~ 10  | ±0.05 | COLOR   |              |            | UNIT  | mm       |  |                      |  |              |
|        |     |            |              |        |         | 10 ~ 20 | ±0.10 | 材质      | PC           |            | SIZE  | A4       |  |                      |  |              |
|        | A/0 | 2021-05-21 |              | NEW    |         | 20 ~ 30 | ±0.15 | 设计      | C.Y.CAI      | 2022-05-25 | 料号    | PART NO. |  |                      |  | ALUP50D11H3W |
|        | 版次  | 日期         |              | 变更说明   | 变更      | 核准      | 30 ~  | ±0.20   | DESIGN       |            |       | 品名       |  |                      |  | Product      |
|        |     |            | 变更说明         | 变更     | 核准      | Angle   | ± 1°  | 核准      |              |            |       |          |  |                      |  |              |
|        |     |            | MODIFICATION | CHANGE | APPROVE | DIM     | TOL   | APPROVE |              |            |       |          |  |                      |  |              |
|        |     |            | DESCRIPTION  |        |         |         |       |         |              |            |       |          |  |                      |  |              |

1 2 3 4 5 6 7 8