



# Specification

**Product: COB LENS**

**MODEL: ADCOB6028D15G**

**DATE: 2013-8-20**

## **ASAHI OPTICS LIMITED**



2/F SHALING BUILDING, SHAJING, BAO'AN SHENZHEN' CHINA  
TEL: +86-755-85241681 FAX: +86-755-83877899 EMAIL: [OPTICS@ASAHI-OPTICS.COM](mailto:OPTICS@ASAHI-OPTICS.COM)

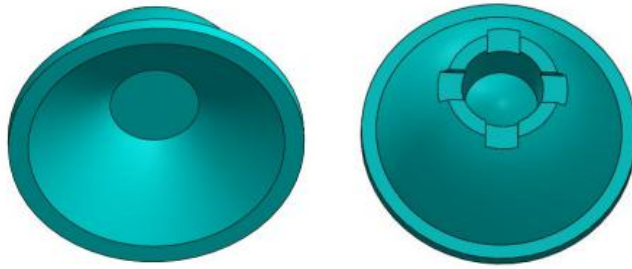
Prepared by	Checked by	Approved by
T.C.SUN	H.J.HU	Z.Y.LIU



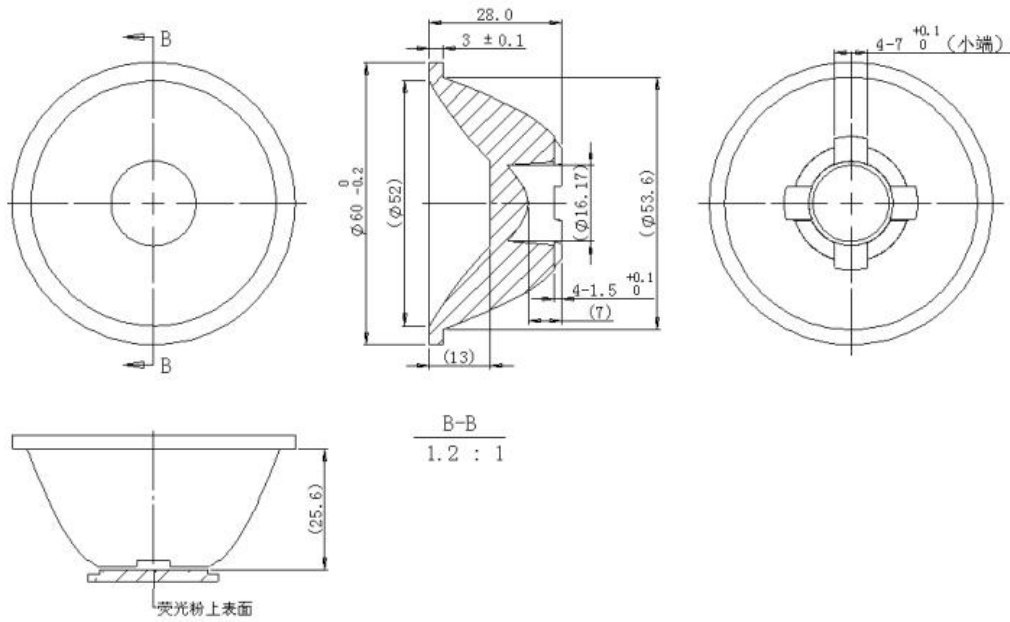
# Index

1. Cover
2. Index
3. Product description
4. Drawing
5. Test report
6. Material certificate

<b>Part Number</b>	<b>ADCOB6028D15G</b>
<b>Picture</b>	
<b>Dimension</b>	<b>60.0*28.0mm</b>
<b>LED Type</b>	
<b>Beam Angle</b>	<b>15°</b>
<b>Efficiency</b>	<b>90%</b>
<b>Material</b>	<b>PMMA</b>



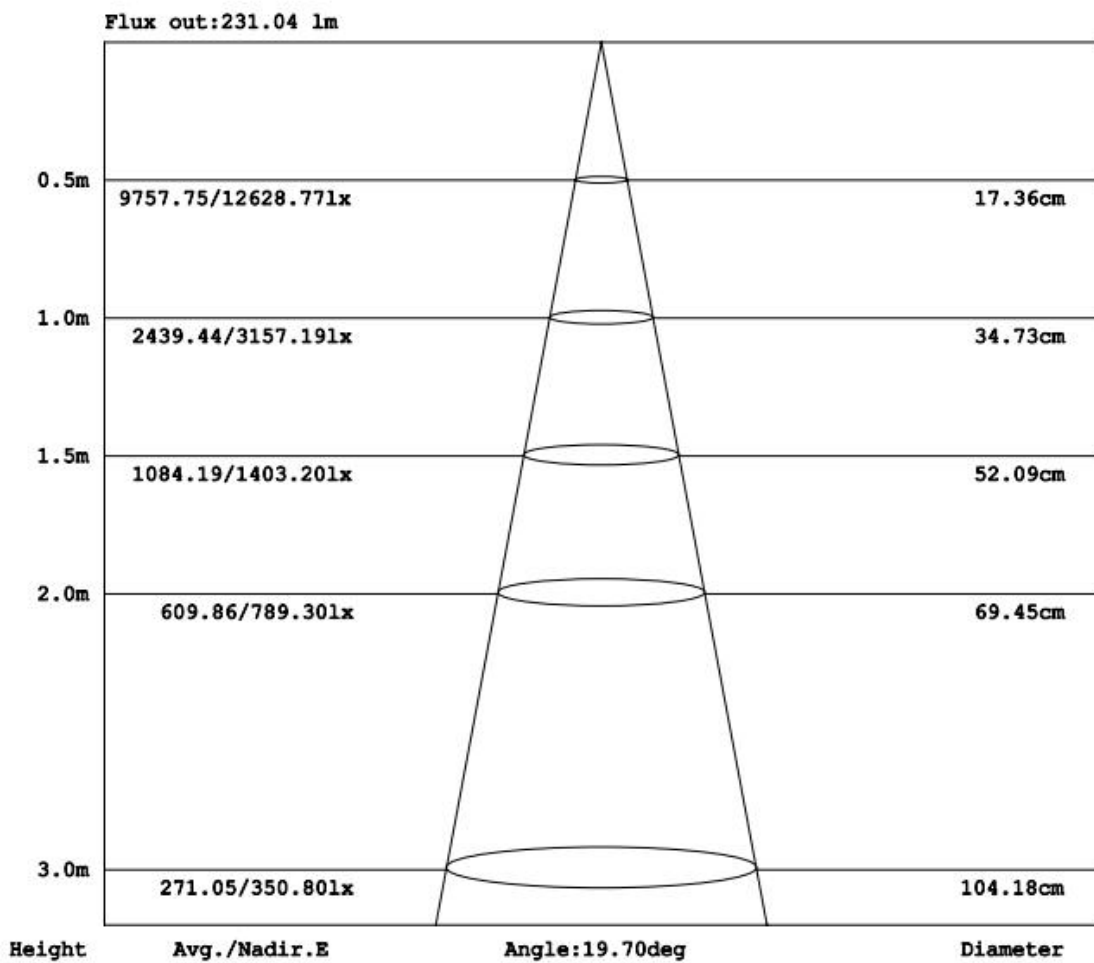
2.2 Lens 尺寸图







Average Illuminance Figure



Lamp Type:COB LENS  
 Tester: ASAHI  
 Temperature:25.3deg  
 Manufacturer: ASAHI

Luminaires Type: CREE CXA1830  
 Test Date:2013-08-16  
 Humidity:65%  
 Remarks:ADCOB6028D20G



15-9-30

UL Certification

iq.ul.com

Component - Plastics [guide info]

E256044

MITSUBISHI RAYON POLYMER NANTONG CO LTD

NANTONG ECONOMIC & TECH DEV AREA, 6 GUANGZHOU RD, NANTONG JIANGSU 226009 CN

VH(ww)(f1), VH(f1), VHM(f1), VHS(f1)

Polymethyl Methacrylate (PMMA), "Shinkolite-P, Acrypet", furnished as pellets

Color	Min Thk (mm)	Flame Class	HWI		RTI		RTI Str
			HWI	HAI	Elec	Imp	
ALL	1.5	HB	4	0	50	50	50
	3.0	HB	3	0	50	50	50

Comparative Tracking Index (CTI): -

Inclined Plane Tracking (IPT): -

Dielectric Strength (kV/mm): -

Volume Resistivity (10<sup>X</sup> ohm-cm): -

High-Voltage Arc Tracking Rate (HVTR): -

High Volt, Low Current Arc Resis (D495): -

Dimensional Stability (%): -

(f1) - Suitable for outdoor use with respect to exposure to Ultraviolet Light, Water Exposure and Immersion in accordance with UL 746C.

(ww) - With or without a digit 0-3,5,7-9 incl.

ANSI/UL 94 small-scale test data does not pertain to building materials, furnishings and related contents. ANSI/UL 94 small-scale test data is intended solely for determining the flammability of plastic materials used in the components and parts of end-product devices and appliances, where the acceptability of the combination is determined by UL.

Report Date: 2013-01-02

Last Revised: 2013-01-23

© 2015 UL LLC



IEC and ISO Test Methods

Test Name	Test Method	Units	Thk (mm)	Value
Flammability	IEC 60695-11-10	Class (color)	1.5	HB75 (ALL)
			3.0	HB40 (ALL)
Glow-Wire Flammability (GWFI)	IEC 60695-2-12	C	-	-
Glow-Wire Ignition (GWIT)	IEC 60695-2-13	C	-	-
IEC Comparative Tracking Index	IEC 60112	Volts (Max)	-	-
IEC Ball Pressure	IEC 60695-10-2	C	-	-
ISO Heat Deflection (1.80 MPa)	ISO 75-2	C	-	-
ISO Tensile Strength	ISO 527-2	MPa	-	-
ISO Flexural Strength	ISO 178	MPa	-	-
ISO Tensile Impact	ISO 8256	kJ/m <sup>2</sup>	-	-
ISO Izod Impact	ISO 180	kJ/m <sup>2</sup>	-	-
ISO Charpy Impact	ISO 179-2	kJ/m <sup>2</sup>	-	-