



# Specification

**Product: COB LENS**

**MODEL: AHCOB6233D24G**

**DATE: 2013-8-25**

## **ASAHI OPTICS LIMITED**

2/F SHALING BUILDING, SHAJING, BAO'AN SHENZHEN' CHINA  
TEL: +86-755-85241681 FAX: +86-755-83877899 EMAIL: [OPTICS@ASAHI-OPTICS.COM](mailto:OPTICS@ASAHI-OPTICS.COM)

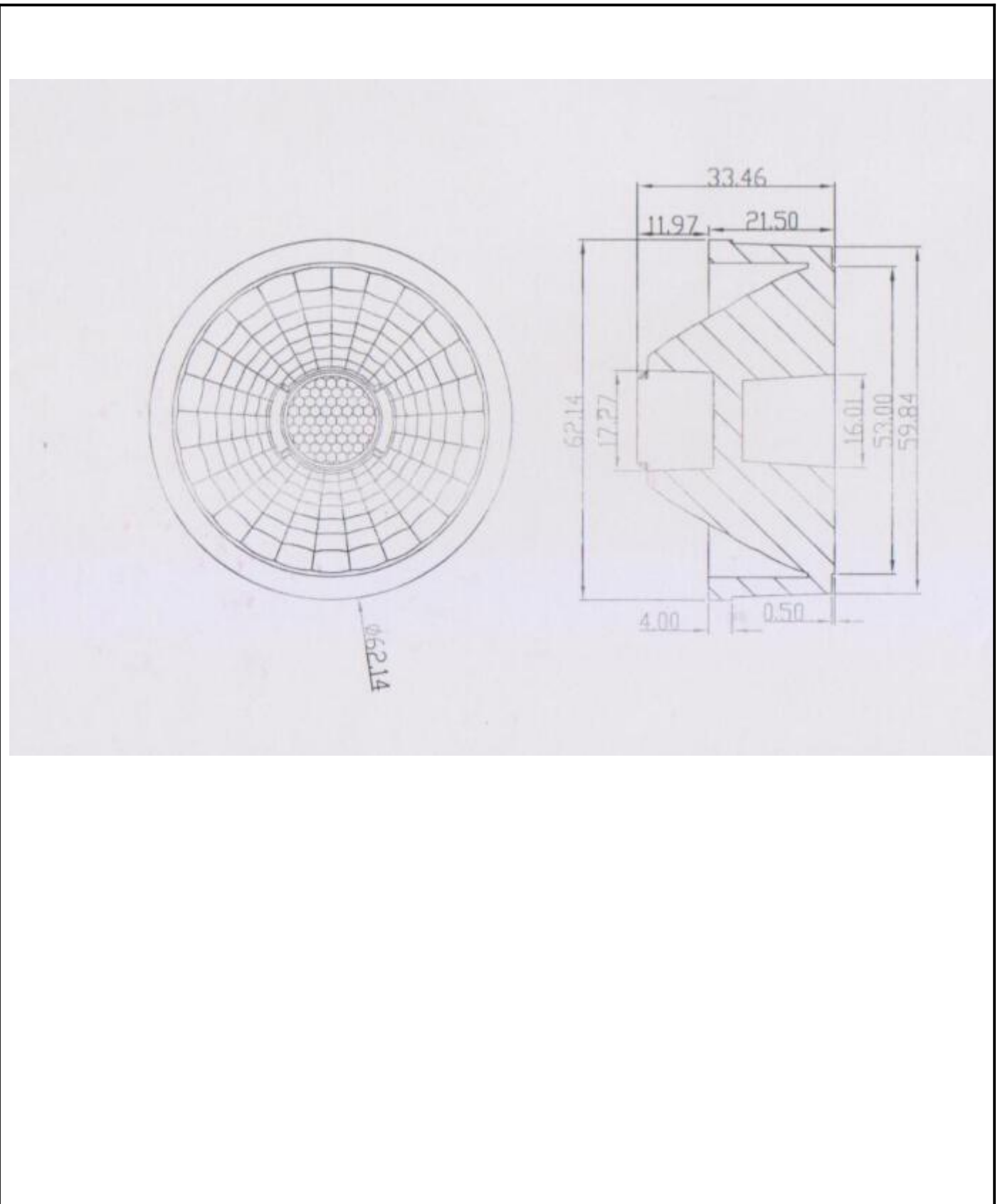
Prepared by	Checked by	Approved by
T.C.SUN	H.J.HU	Z.Y.LIU



# Index

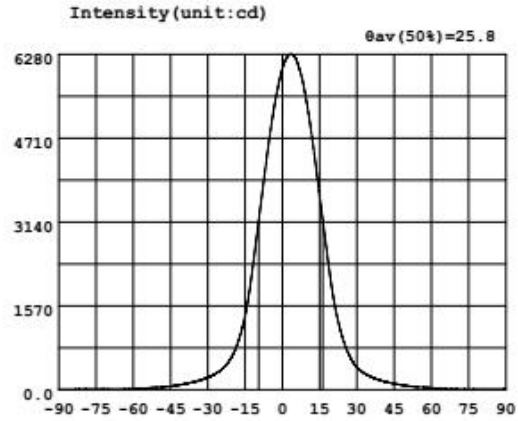
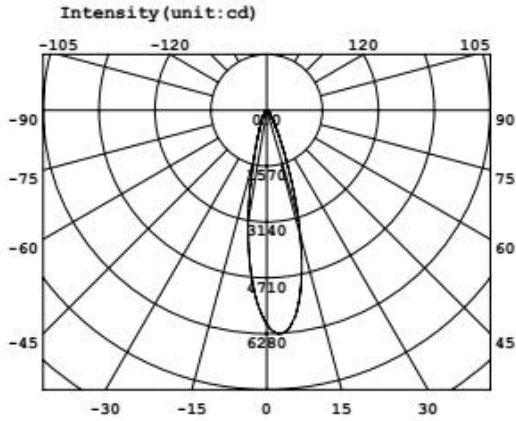
1. Cover
2. Index
3. Product description
4. Drawing
5. Test report
6. Material certificate

<b>Part Number</b>	<b>AHCOB6233D24G</b>
<b>Picture</b>	
<b>Dimension</b>	<b>62.0*33.50mm</b>
<b>LED Type</b>	
<b>Beam Angle</b>	<b>24°</b>
<b>Efficiency</b>	<b>90%</b>
<b>Material</b>	<b>PMMA</b>





GO1900L GONIOPHOTOMETER Test Report Page 1 Of 2



Intensity data:(deg , cd) C0-180

A	I	A	I	A	I	A	I	A	I	A	I
-90.0	10.52	-58.0	23.49	-26.0	326.3	6.0	6139	38.0	199.6	70.0	16.15
-88.0	10.31	-56.0	27.51	-24.0	397.4	8.0	5822	40.0	170.0	72.0	14.15
-86.0	9.528	-54.0	34.10	-22.0	498.0	10.0	5330	42.0	144.6	74.0	13.03
-84.0	9.398	-52.0	42.78	-20.0	647.7	12.0	4717	44.0	125.0	76.0	13.03
-82.0	13.34	-50.0	46.65	-18.0	869.4	14.0	4011	46.0	106.0	78.0	13.67
-80.0	15.63	-48.0	51.53	-16.0	1185	16.0	3277	48.0	89.80	80.0	14.33
-78.0	16.59	-46.0	60.60	-14.0	1632	18.0	2555	50.0	76.39	82.0	15.23
-76.0	16.87	-44.0	72.22	-12.0	2263	20.0	1888	52.0	64.10	84.0	15.71
-74.0	16.75	-42.0	86.87	-10.0	2987	22.0	1382	54.0	53.75	86.0	15.40
-72.0	16.00	-40.0	102.9	-8.0	3719	24.0	1011	56.0	48.50	88.0	14.98
-70.0	14.75	-38.0	122.0	-6.0	4441	26.0	743.3	58.0	44.98	90.0	12.08
-68.0	14.07	-36.0	142.0	-4.0	5085	28.0	550.9	60.0	36.35		
-66.0	14.23	-34.0	166.0	-2.0	5608	30.0	423.1	62.0	28.60		
-64.0	15.60	-32.0	196.1	0.0	6007	32.0	340.2	64.0	24.11		
-62.0	17.99	-30.0	230.2	2.0	6237	34.0	280.8	66.0	21.20		
-60.0	20.60	-28.0	272.0	4.0	6279	36.0	235.8	68.0	18.79		

Electricity Parameter:

Current I: 0.6800A Power: 0.0W  
Voltage V: 36.00V PF: 0.000

Optical Parameter(Distance=3.000m) :

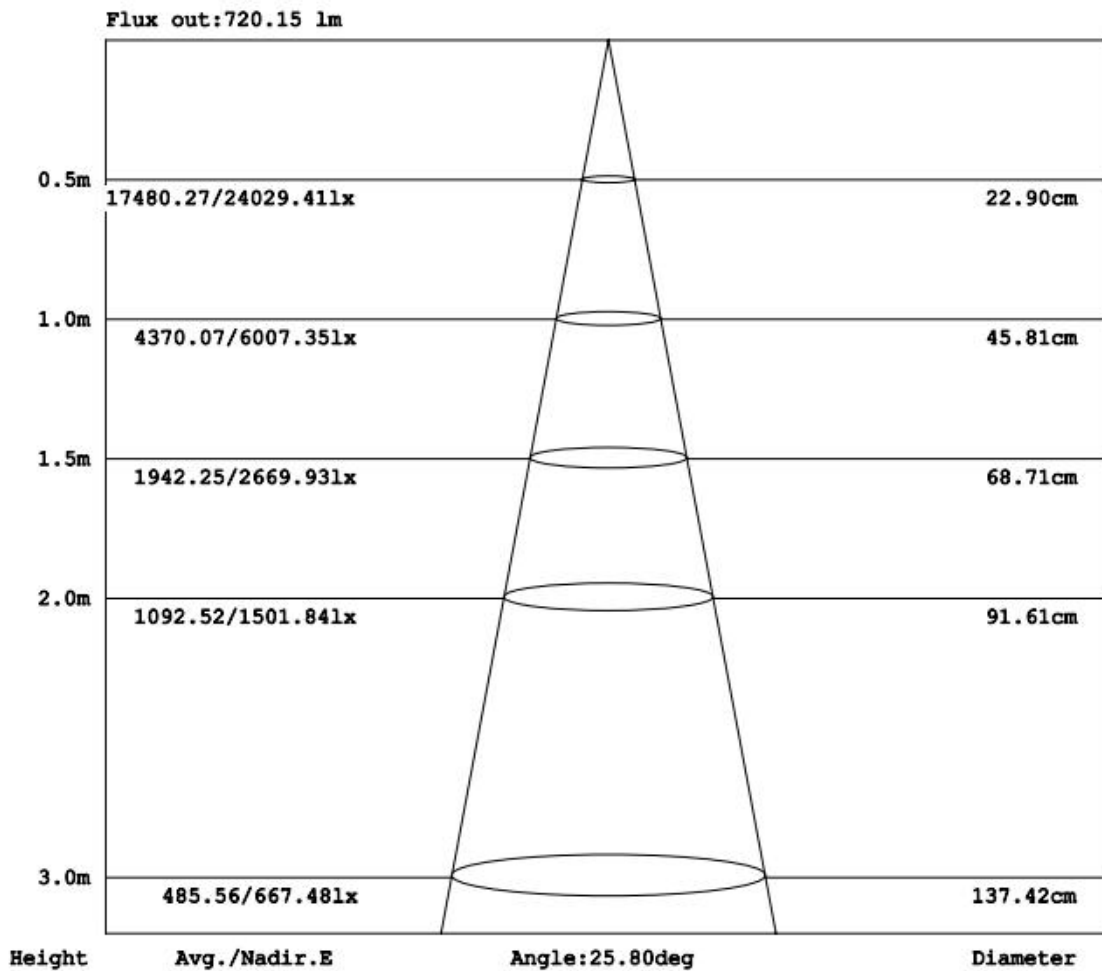
Equivalent Luminous flux:  $\Phi_{eff} = 1761lm$  Efficiency:  $Eff=0.00lm/W$   
Diffuse angle: @ (25%): 35.3deg @ (50%): 25.8deg @ (75%): 17.2deg @ (50%): 25.8deg  
Diffuse angle: @ (25%): 35.9deg @ (50%): 26.6deg @ (75%): 18.4deg @ (50%): 26.6deg  
 $I_{max}=6280cd$  (C=0.0deg,G=3.0deg) C0-180Plane  $I_{max} = 6280cd$ (G=3.0deg)  
C0-180Plane  $I_0 = 6007cd$

Lamp Type:COB LENS  
Tester: ASAHI  
Temperature:25.3deg  
Manufacturer: ASAHI

Luminaires Type:CREE CXA1830  
Test Date:2013-08-17  
Humidity:65%  
Remarks:AHCOB6233D1830G



Average Illuminance Figure



Lamp Type:COB LENS  
 Tester: ASAHI  
 Temperature:25.3deg  
 Manufacturer: ASAHI

Luminaires Type:CREE CXA1830  
 Test Date:2013-08-17  
 Humidity:65%  
 Remarks:AHCOB6233D1830G



15-9-30

UL Certification

iq.ul.com

Component - Plastics [guide info]

E256044

MITSUBISHI RAYON POLYMER NANTONG CO LTD

NANTONG ECONOMIC & TECH DEV AREA, 6 GUANGZHOU RD, NANTONG JIANGSU 226009 CN

VH(ww)(f1), VH(f1), VHM(f1), VHS(f1)

Polymethyl Methacrylate (PMMA), "Shinkolite-P, Acrypet", furnished as pellets

Color	Min Thk (mm)	Flame Class	HWI		RTI		RTI Str
			HWI	HAI	Elec	Imp	
ALL	1.5	HB	4	0	50	50	50
	3.0	HB	3	0	50	50	50

Comparative Tracking Index (CTI): -

Inclined Plane Tracking (IPT): -

Dielectric Strength (kV/mm): -

Volume Resistivity (10<sup>X</sup> ohm-cm): -

High-Voltage Arc Tracking Rate (HVTR): -

High Volt, Low Current Arc Resis (D495): -

Dimensional Stability (%): -

(f1) - Suitable for outdoor use with respect to exposure to Ultraviolet Light, Water Exposure and Immersion in accordance with UL 746C.

(ww) - With or without a digit 0-3,5,7-9 incl.

ANSI/UL 94 small-scale test data does not pertain to building materials, furnishings and related contents. ANSI/UL 94 small-scale test data is intended solely for determining the flammability of plastic materials used in the components and parts of end-product devices and appliances, where the acceptability of the combination is determined by UL.

Report Date: 2013-01-02

Last Revised: 2013-01-23

© 2015 UL LLC



IEC and ISO Test Methods

Test Name	Test Method	Units	Thk (mm)	Value
Flammability	IEC 60695-11-10	Class (color)	1.5	HB75 (ALL)
			3.0	HB40 (ALL)
Glow-Wire Flammability (GWFI)	IEC 60695-2-12	C	-	-
Glow-Wire Ignition (GWIT)	IEC 60695-2-13	C	-	-
IEC Comparative Tracking Index	IEC 60112	Volts (Max)	-	-
IEC Ball Pressure	IEC 60695-10-2	C	-	-
ISO Heat Deflection (1.80 MPa)	ISO 75-2	C	-	-
ISO Tensile Strength	ISO 527-2	MPa	-	-
ISO Flexural Strength	ISO 178	MPa	-	-
ISO Tensile Impact	ISO 8256	kJ/m <sup>2</sup>	-	-
ISO Izod Impact	ISO 180	kJ/m <sup>2</sup>	-	-
ISO Charpy Impact	ISO 179-2	kJ/m <sup>2</sup>	-	-