



Specification

Product: COB LENS

MODEL: AHCOB6022D24G

DATE: 2013-8-25

ASAHI OPTICS LIMITED

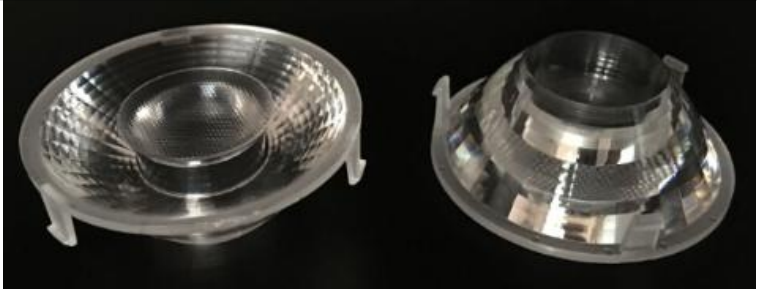

2/F SHALING BUILDING, SHAJING, BAO'AN SHENZHEN' CHINA
TEL: +86-755-85241681 FAX: +86-755-83877899 EMAIL: OPTICS@ASAHI-OPTICS.COM

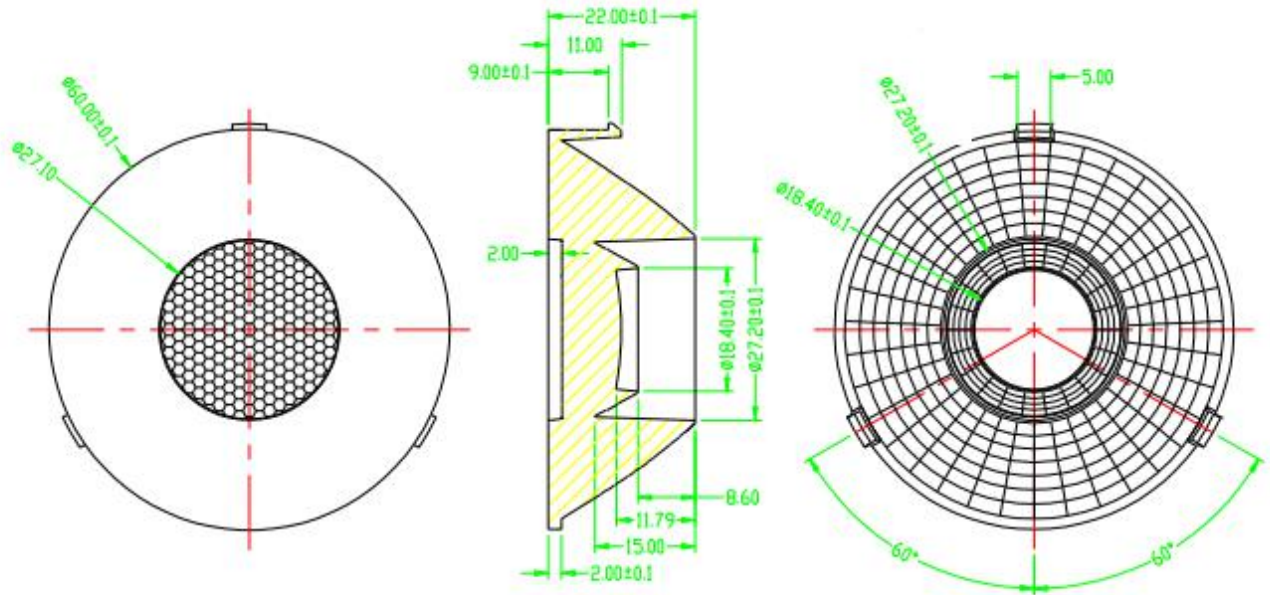
| Prepared by | Checked by | Approved by |
|-------------|------------|-------------|
| T.C.SUN | H.J.HU | Z.Y.LIU |



Index

1. Cover
2. Index
3. Product description
4. Drawing
5. Test report
6. Material certificate

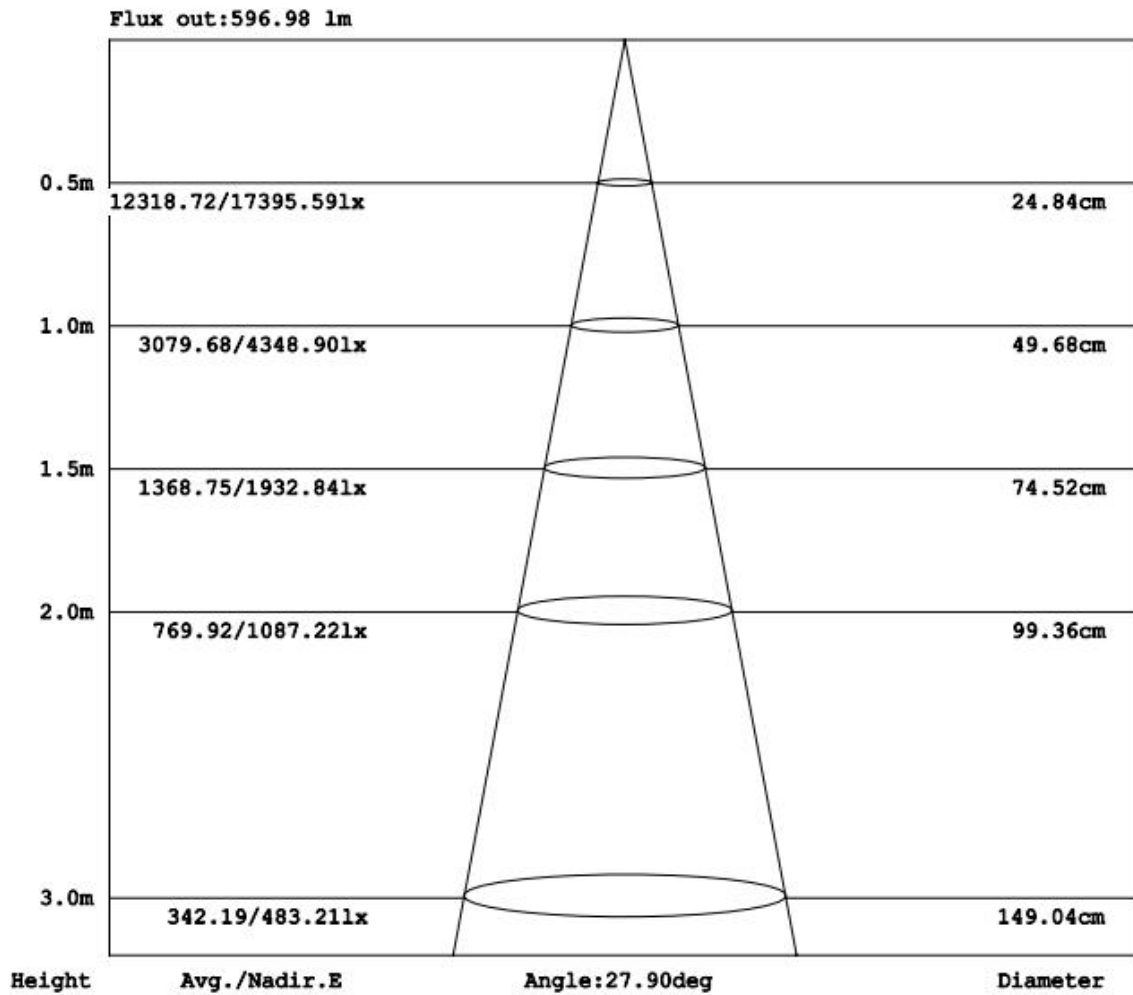
| | |
|--------------------|---|
| Part Number | AHCOB6022D24G |
| Picture |  |
| Dimension | 60.0*22.2mm |
| LED Type |  |
| Beam Angle | 24° |
| Efficiency | 90% |
| Material | PMMA |



EVERFINE 远方
www.everfine.CN

GO1900L GONIOPHOTOMETER Test Report Page 2 Of 2

Average Illuminance Figure



Lamp Type:COB LENS
Tester: ASAHI
Temperature:25.3deg
Manufacturer: ASAHI

Luminaires Type: CREE CXA1830
Test Date:2013-08-17
Humidity:65%
Remarks:AHCOB6022D24G



15-9-30

UL Certification

iq.ul.com

Component - Plastics [guide info]

E256044

MITSUBISHI RAYON POLYMER NANTONG CO LTD

NANTONG ECONOMIC & TECH DEV AREA, 6 GUANGZHOU RD, NANTONG JIANGSU 226009 CN

VH(ww)(f1), VH(f1), VHM(f1), VHS(f1)

Polymethyl Methacrylate (PMMA), "Shinkolite-P, Acrypet", furnished as pellets

| Color | Min Thk (mm) | Flame Class | HWI | | RTI | | RTI Str |
|-------|--------------|-------------|-----|-----|------|-----|---------|
| | | | HWI | HAI | Elec | Imp | |
| ALL | 1.5 | HB | 4 | 0 | 50 | 50 | 50 |
| | 3.0 | HB | 3 | 0 | 50 | 50 | 50 |

Comparative Tracking Index (CTI): -

Inclined Plane Tracking (IPT): -

Dielectric Strength (kV/mm): -

Volume Resistivity (10^Xohm-cm): -

High-Voltage Arc Tracking Rate (HVTR): -

High Volt, Low Current Arc Resis (D495): -

Dimensional Stability (%): -

(f1) - Suitable for outdoor use with respect to exposure to Ultraviolet Light, Water Exposure and Immersion in accordance with UL 746C.

(ww) - With or without a digit 0-3,5,7-9 incl.

ANSI/UL 94 small-scale test data does not pertain to building materials, furnishings and related contents. ANSI/UL 94 small-scale test data is intended solely for determining the flammability of plastic materials used in the components and parts of end-product devices and appliances, where the acceptability of the combination is determined by UL.

Report Date: 2013-01-02

Last Revised: 2013-01-23

© 2015 UL LLC



IEC and ISO Test Methods

| Test Name | Test Method | Units | Thk (mm) | Value |
|--------------------------------|-----------------|-------------------|----------|------------|
| Flammability | IEC 60695-11-10 | Class (color) | 1.5 | HB75 (ALL) |
| | | | 3.0 | HB40 (ALL) |
| Glow-Wire Flammability (GWFI) | IEC 60695-2-12 | C | - | - |
| Glow-Wire Ignition (GWIT) | IEC 60695-2-13 | C | - | - |
| IEC Comparative Tracking Index | IEC 60112 | Volts (Max) | - | - |
| IEC Ball Pressure | IEC 60695-10-2 | C | - | - |
| ISO Heat Deflection (1.80 MPa) | ISO 75-2 | C | - | - |
| ISO Tensile Strength | ISO 527-2 | MPa | - | - |
| ISO Flexural Strength | ISO 178 | MPa | - | - |
| ISO Tensile Impact | ISO 8256 | kJ/m ² | - | - |
| ISO Izod Impact | ISO 180 | kJ/m ² | - | - |
| ISO Charpy Impact | ISO 179-2 | kJ/m ² | - | - |