



Specification

Product: COB LENS

MODEL: AHCOB4122D15G

DATE: 2013-8-25

ASAHI OPTICS LIMITED

2/F SHALING BUILDING, SHAJING, BAO'AN SHENZHEN' CHINA
TEL: +86-755-85241681 FAX: +86-755-83877899 EMAIL: OPTICS@ASAHI-OPTICS.COM

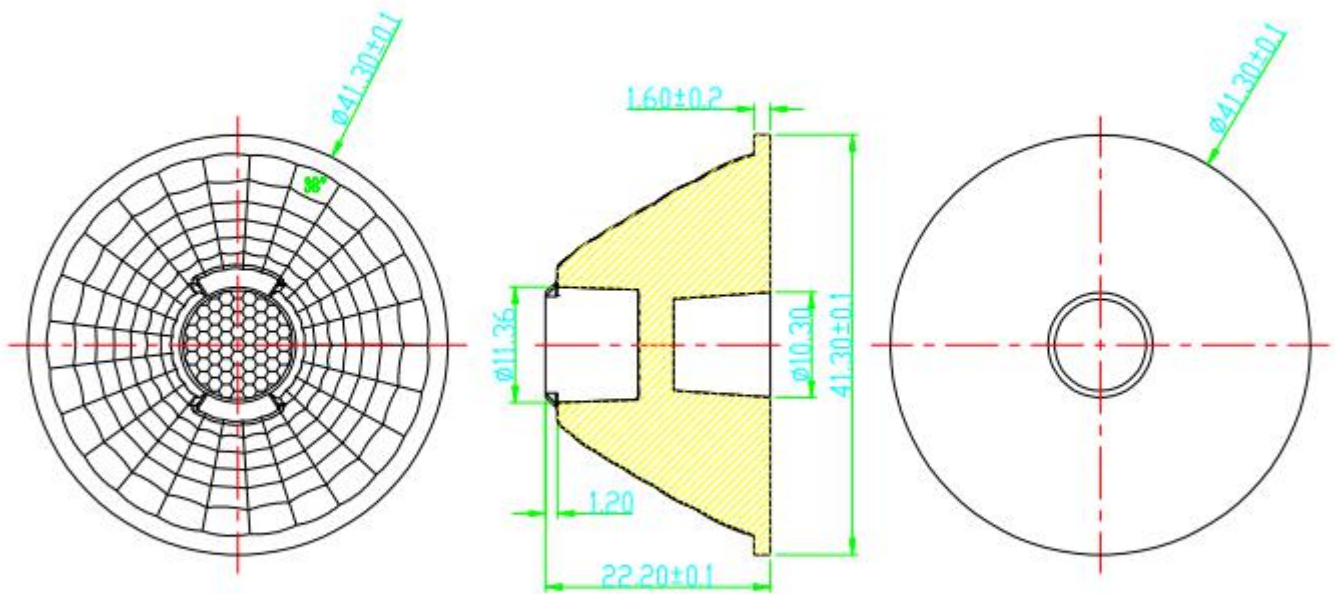
Prepared by	Checked by	Approved by
T.C.SUN	H.J.HU	Z.Y.LIU



Index

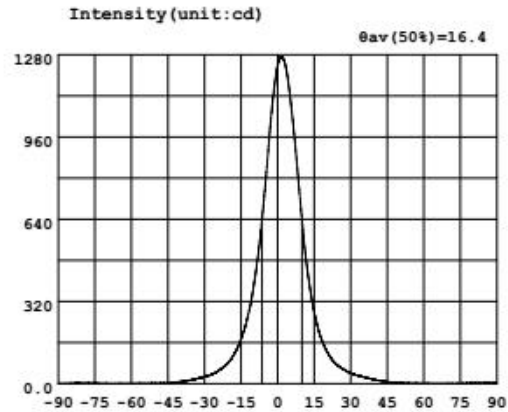
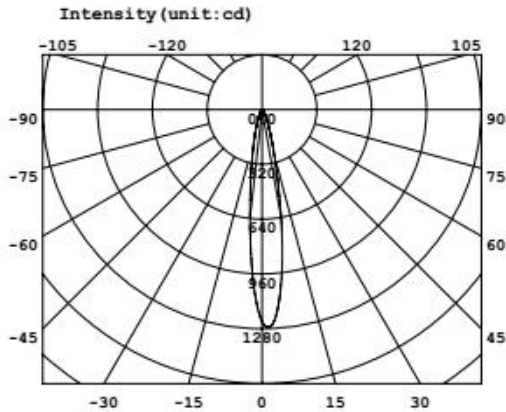
1. Cover
2. Index
3. Product description
4. Drawing
5. Test report
6. Material certificate

Part Number	AHCOB4122D15G												
Picture													
Dimension	41.3*22.2mm												
LED Type	<table border="0"> <tr> <td>CREE LED Solution Provider</td> <td>CXA1304/1512</td> </tr> <tr> <td>CITIZEN Optoelectronics</td> <td>CCL010/020</td> </tr> <tr> <td>PHILIPS LUMILEDS</td> <td>LHC1-1202/3</td> </tr> <tr> <td>bridgelux</td> <td>VERO13/10</td> </tr> <tr> <td>LUMINUS</td> <td>CXM6/7</td> </tr> <tr> <td>NICHIA</td> <td>036A/066A</td> </tr> </table>	CREE LED Solution Provider	CXA1304/1512	CITIZEN Optoelectronics	CCL010/020	PHILIPS LUMILEDS	LHC1-1202/3	bridgelux	VERO13/10	LUMINUS	CXM6/7	NICHIA	036A/066A
CREE LED Solution Provider	CXA1304/1512												
CITIZEN Optoelectronics	CCL010/020												
PHILIPS LUMILEDS	LHC1-1202/3												
bridgelux	VERO13/10												
LUMINUS	CXM6/7												
NICHIA	036A/066A												
Beam Angle	15°												
Efficiency	90%												
Material	PMMA												





GO1900L GONIOPHOTOMETER Test Report Page 1 Of 2



Intensity data:(deg , cd) C0-180

A	I	A	I	A	I	A	I	A	I	A	I
-90.0	1.930	-58.0	2.072	-26.0	40.37	6.0	1046	38.0	19.87	70.0	1.730
-88.0	1.909	-56.0	2.237	-24.0	52.27	8.0	849.8	40.0	15.59	72.0	1.610
-86.0	1.971	-54.0	2.446	-22.0	66.73	10.0	641.4	42.0	12.15	74.0	1.672
-84.0	2.467	-52.0	2.652	-20.0	84.43	12.0	459.2	44.0	9.315	76.0	2.214
-82.0	3.376	-50.0	2.902	-18.0	112.1	14.0	331.8	46.0	6.845	78.0	2.917
-80.0	4.250	-48.0	3.288	-16.0	149.5	16.0	238.4	48.0	5.443	80.0	3.870
-78.0	4.068	-46.0	4.005	-14.0	200.1	18.0	173.3	50.0	4.386	82.0	4.746
-76.0	3.447	-44.0	4.792	-12.0	271.4	20.0	129.8	52.0	3.659	84.0	5.075
-74.0	2.339	-42.0	6.061	-10.0	370.4	22.0	98.81	54.0	3.178	86.0	4.290
-72.0	1.811	-40.0	7.919	-8.0	499.7	24.0	76.90	56.0	2.835	88.0	3.339
-70.0	1.600	-38.0	10.29	-6.0	675.3	26.0	62.10	58.0	2.562	90.0	2.205
-68.0	1.556	-36.0	13.44	-4.0	890.5	28.0	50.82	60.0	2.343		
-66.0	1.598	-34.0	17.51	-2.0	1099	30.0	41.24	62.0	2.157		
-64.0	1.679	-32.0	22.16	0.0	1237	32.0	34.74	64.0	2.054		
-62.0	1.783	-30.0	27.18	2.0	1270	34.0	29.61	66.0	1.926		
-60.0	1.906	-28.0	32.89	4.0	1199	36.0	24.50	68.0	1.834		

Electricity Parameter:

Current I: 0.6800A Power: 0.0W
 Voltage V: 36.00V PF: 0.000

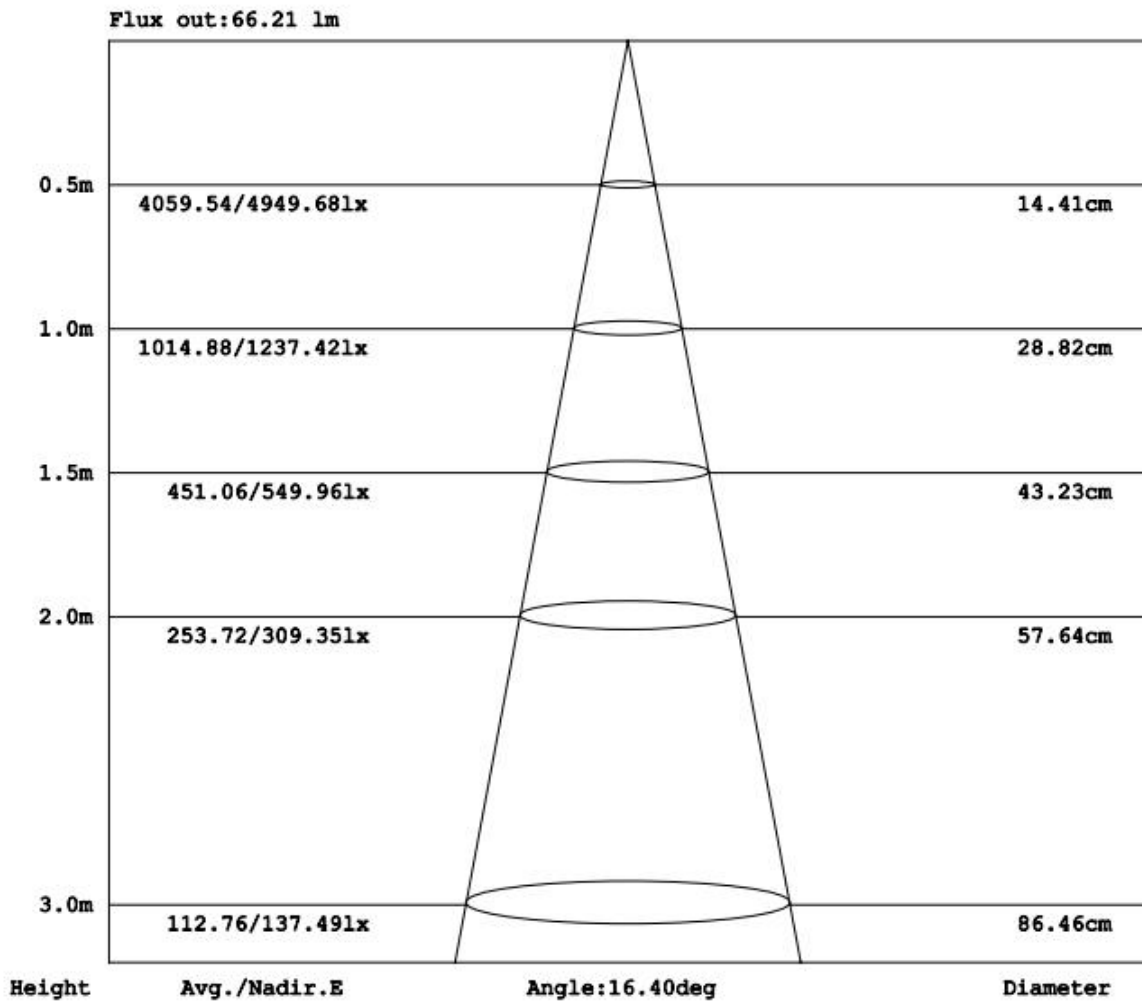
Optical Parameter (Distance=3.000m) :

Equivalent Luminous flux: $\Phi_{eff} = 198.7lm$ Efficiency: $Eff=0.00lm/W$
 Diffuse angle: @ (25%): 25.1deg @ (50%): 16.4deg @ (75%): 10.3deg @ (50%): 16.4deg
 Diffuse angle: @ (25%): 25.4deg @ (50%): 16.7deg @ (75%): 10.8deg @ (50%): 16.7deg
 Imax=1270cd (C=0.0deg,G=2.0deg) C0-180Plane Imax= 1270cd(G=2.0deg)
 C0-180Plane I0= 1237cd

Lamp Type:COB LENS
 Tester: ASAHI
 Temperature:25.3deg
 Manufacturer: ASAHI

Luminaires Type:CREE CXA1304
 Test Date:2013-08-17
 Humidity:65%
 Remarks:AHCOB4122D15G

Average Illuminance Figure



Lamp Type:COB LENS
 Tester: ASAHI
 Temperature:25.3deg
 Manufacturer: ASAHI

Luminaires Type:CREE CXA1304
 Test Date:2013-08-17
 Humidity:65%
 Remarks:AHCOB4122D15G



15-9-30

UL Certification

iq.ul.com

Component - Plastics [guide info]

E256044

MITSUBISHI RAYON POLYMER NANTONG CO LTD

NANTONG ECONOMIC & TECH DEV AREA, 6 GUANGZHOU RD, NANTONG JIANGSU 226009 CN

VH(ww)(f1), VH(f1), VHM(f1), VHS(f1)

Polymethyl Methacrylate (PMMA), "Shinkolite-P, Acrypet", furnished as pellets

Color	Min Thk (mm)	Flame Class	HWI		RTI		RTI Str
			HWI	HAI	Elec	Imp	
ALL	1.5	HB	4	0	50	50	50
	3.0	HB	3	0	50	50	50

Comparative Tracking Index (CTI): -

Inclined Plane Tracking (IPT): -

Dielectric Strength (kV/mm): -

Volume Resistivity (10^Xohm-cm): -

High-Voltage Arc Tracking Rate (HVTR): -

High Volt, Low Current Arc Resis (D495): -

Dimensional Stability (%): -

(f1) - Suitable for outdoor use with respect to exposure to Ultraviolet Light, Water Exposure and Immersion in accordance with UL 746C.

(ww) - With or without a digit 0-3,5,7-9 incl.

ANSI/UL 94 small-scale test data does not pertain to building materials, furnishings and related contents. ANSI/UL 94 small-scale test data is intended solely for determining the flammability of plastic materials used in the components and parts of end-product devices and appliances, where the acceptability of the combination is determined by UL.

Report Date: 2013-01-02

Last Revised: 2013-01-23

© 2015 UL LLC



IEC and ISO Test Methods

Test Name	Test Method	Units	Thk (mm)	Value
Flammability	IEC 60695-11-10	Class (color)	1.5	HB75 (ALL)
			3.0	HB40 (ALL)
Glow-Wire Flammability (GWFI)	IEC 60695-2-12	C	-	-
Glow-Wire Ignition (GWIT)	IEC 60695-2-13	C	-	-
IEC Comparative Tracking Index	IEC 60112	Volts (Max)	-	-
IEC Ball Pressure	IEC 60695-10-2	C	-	-
ISO Heat Deflection (1.80 MPa)	ISO 75-2	C	-	-
ISO Tensile Strength	ISO 527-2	MPa	-	-
ISO Flexural Strength	ISO 178	MPa	-	-
ISO Tensile Impact	ISO 8256	kJ/m ²	-	-
ISO Izod Impact	ISO 180	kJ/m ²	-	-
ISO Charpy Impact	ISO 179-2	kJ/m ²	-	-