



Specification

Product: COB LENS

MODEL: ADCOB3511D24G

DATE: 2013-8-16

ASAHI OPTICS LIMITED



2/F SHALING BUILDING, SHAJING, BAO'AN SHENZHEN' CHINA
TEL: +86-755-85241681 FAX: +86-755-83877899 EMAIL: OPTICS@ASAHI-OPTICS.COM

Prepared by	Checked by	Approved by
T.C.SUN	H.J.HU	Z.Y.LIU

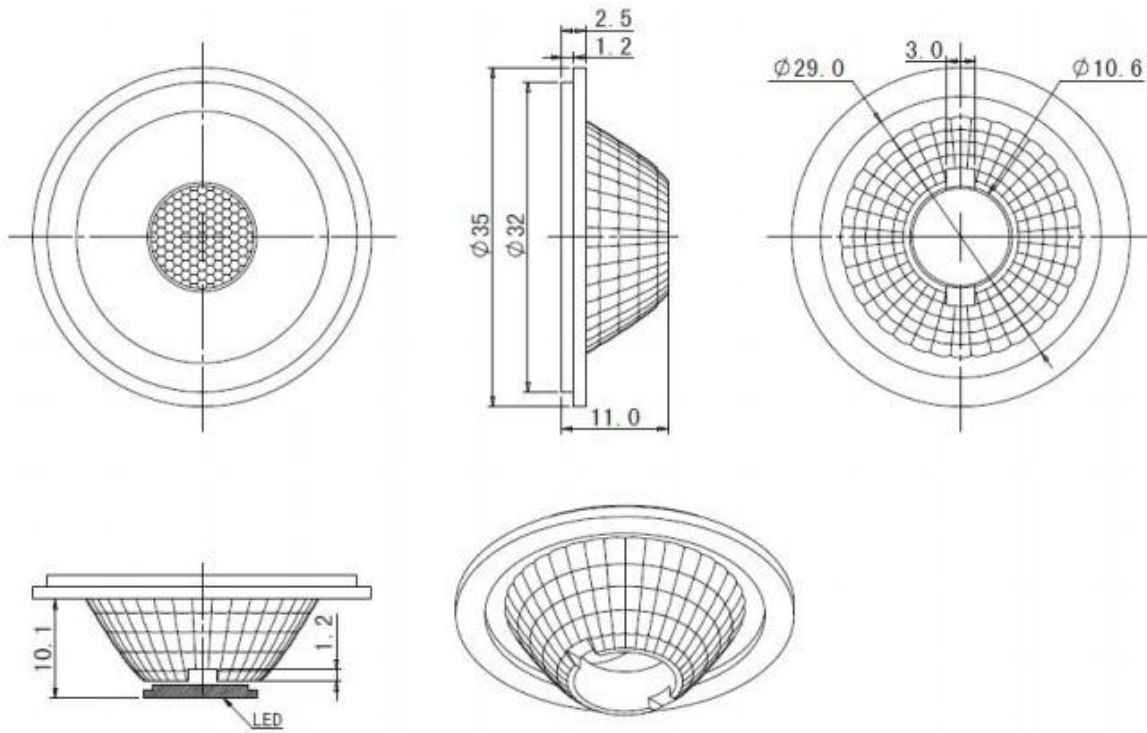


Index

1. Cover
2. Index
3. Product description
4. Drawing
5. Test report
6. Material certificate

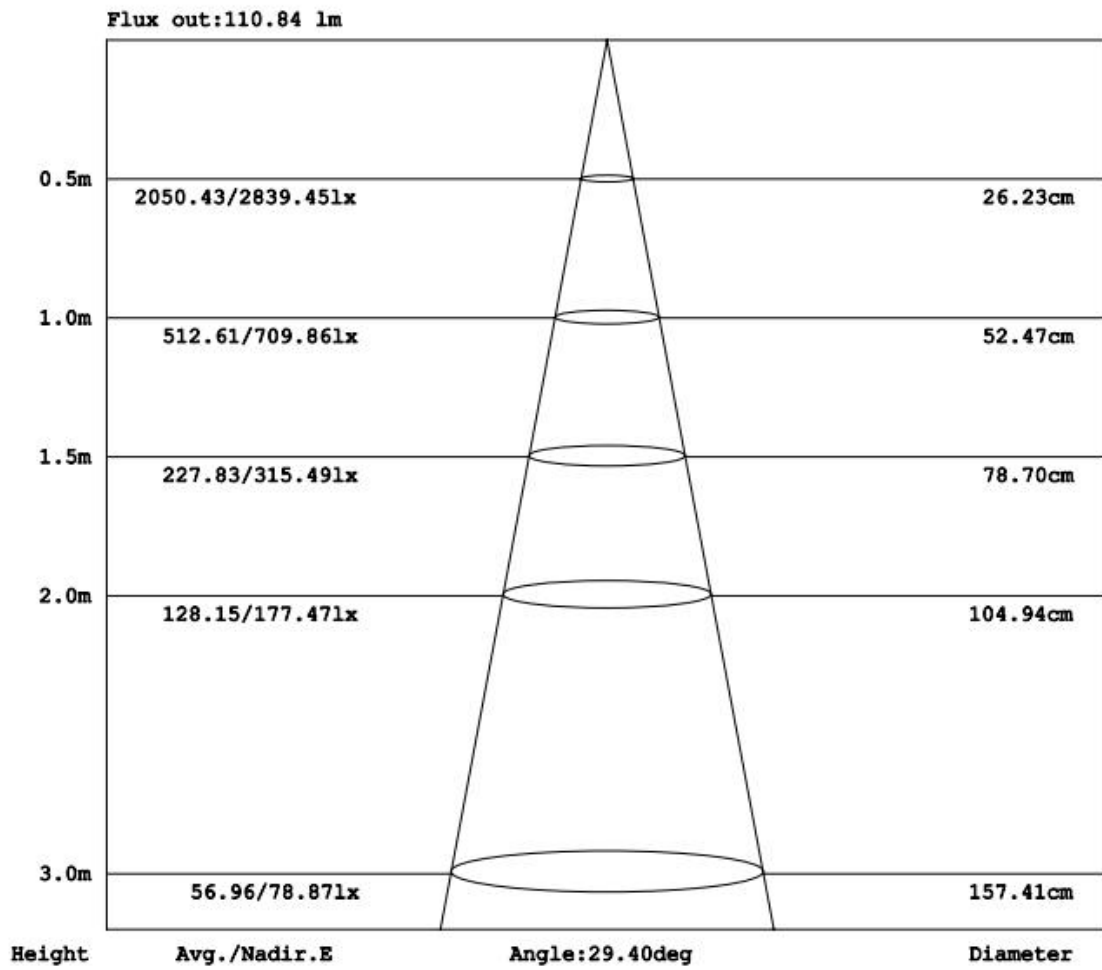
Part Number	ADCOB3511D24G
Picture	
Dimension	35.0*11.0mm
LED Type	
Beam Angle	24°
Efficiency	90%
Material	PMMA

Lens Dimension





Average Illuminance Figure



Lamp Type: COB LENS
 Tester:ASAHI
 Temperature:25.3deg
 Manufacturer: ASAHI

Luminaires Type: CREE CXA1304
 Test Date:2013-08-16
 Humidity:65%
 Remarks:



15-9-30

UL Certification

iq.ul.com

Component - Plastics [guide info]

E256044

MITSUBISHI RAYON POLYMER NANTONG CO LTD

NANTONG ECONOMIC & TECH DEV AREA, 6 GUANGZHOU RD, NANTONG JIANGSU 226009 CN

VH(ww)(f1), VH(f1), VHM(f1), VHS(f1)

Polymethyl Methacrylate (PMMA), "Shinkolite-P, Acrypet", furnished as pellets

Color	Min Thk (mm)	Flame Class	RTI		RTI		RTI Str
			HWI	HAI	Elec	Imp	
ALL	1.5	HB	4	0	50	50	50
	3.0	HB	3	0	50	50	50

Comparative Tracking Index (CTI): -

Inclined Plane Tracking (IPT): -

Dielectric Strength (kV/mm): -

Volume Resistivity (10^X ohm-cm): -

High-Voltage Arc Tracking Rate (HVTR): -

High Volt, Low Current Arc Resis (D495): -

Dimensional Stability (%): -

(f1) - Suitable for outdoor use with respect to exposure to Ultraviolet Light, Water Exposure and Immersion in accordance with UL 746C.

(ww) - With or without a digit 0-3,5,7-9 incl.

ANSI/UL 94 small-scale test data does not pertain to building materials, furnishings and related contents. ANSI/UL 94 small-scale test data is intended solely for determining the flammability of plastic materials used in the components and parts of end-product devices and appliances, where the acceptability of the combination is determined by UL.

Report Date: 2013-01-02

Last Revised: 2013-01-23

© 2015 UL LLC



IEC and ISO Test Methods

Test Name	Test Method	Units	Thk (mm)	Value
Flammability	IEC 60695-11-10	Class (color)	1.5	HB75 (ALL)
			3.0	HB40 (ALL)
Glow-Wire Flammability (GWFI)	IEC 60695-2-12	C	-	-
Glow-Wire Ignition (GWIT)	IEC 60695-2-13	C	-	-
IEC Comparative Tracking Index	IEC 60112	Volts (Max)	-	-
IEC Ball Pressure	IEC 60695-10-2	C	-	-
ISO Heat Deflection (1.80 MPa)	ISO 75-2	C	-	-
ISO Tensile Strength	ISO 527-2	MPa	-	-
ISO Flexural Strength	ISO 178	MPa	-	-
ISO Tensile Impact	ISO 8256	kJ/m ²	-	-
ISO Izod Impact	ISO 180	kJ/m ²	-	-
ISO Charpy Impact	ISO 179-2	kJ/m ²	-	-