

1 2 3 4 5 6 7 8

A

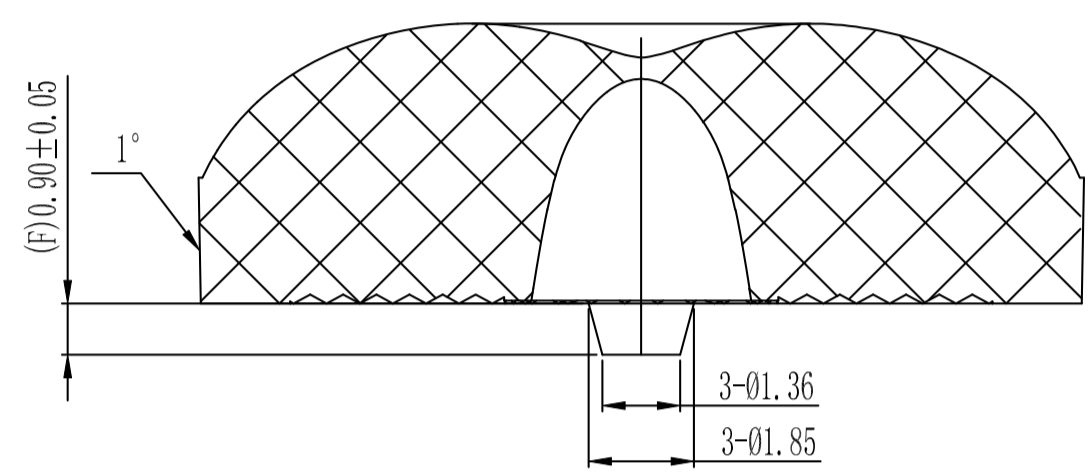
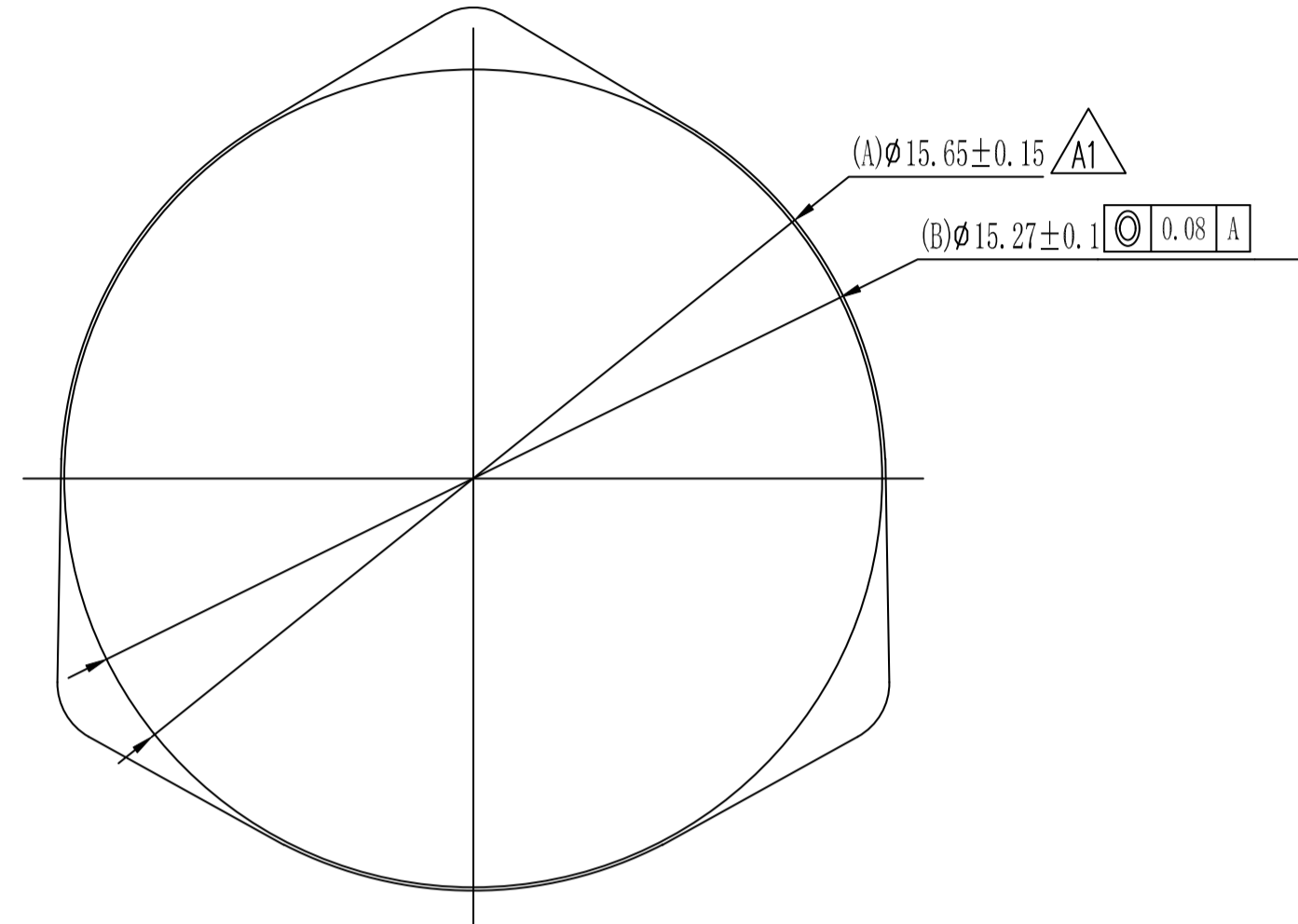
B

C

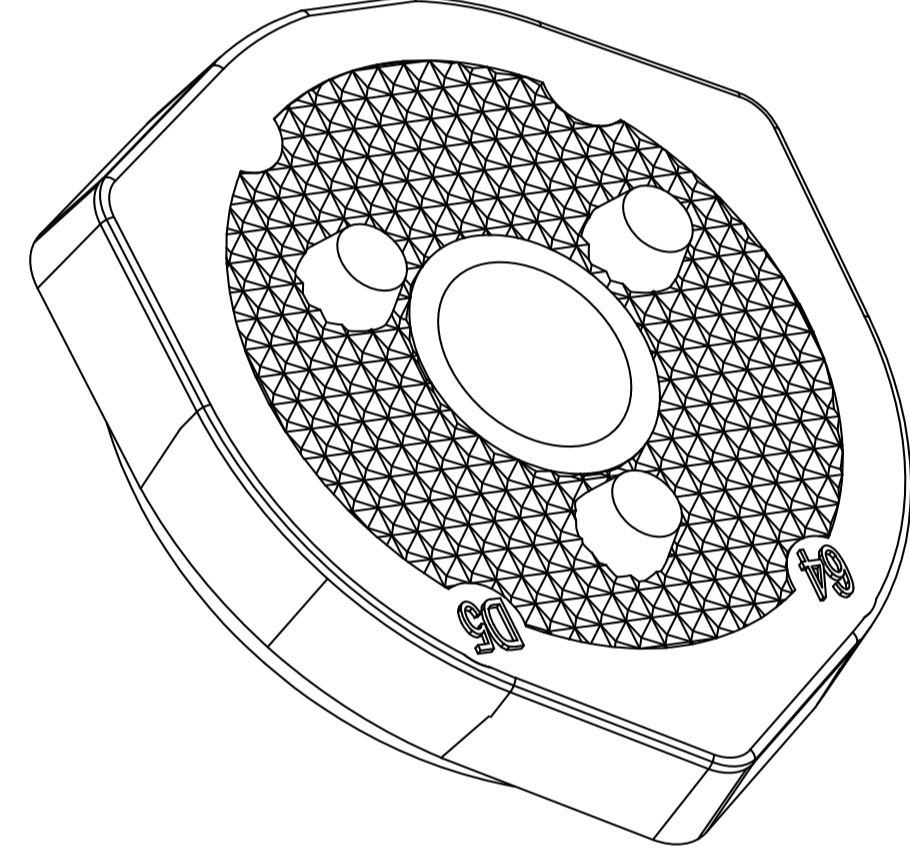
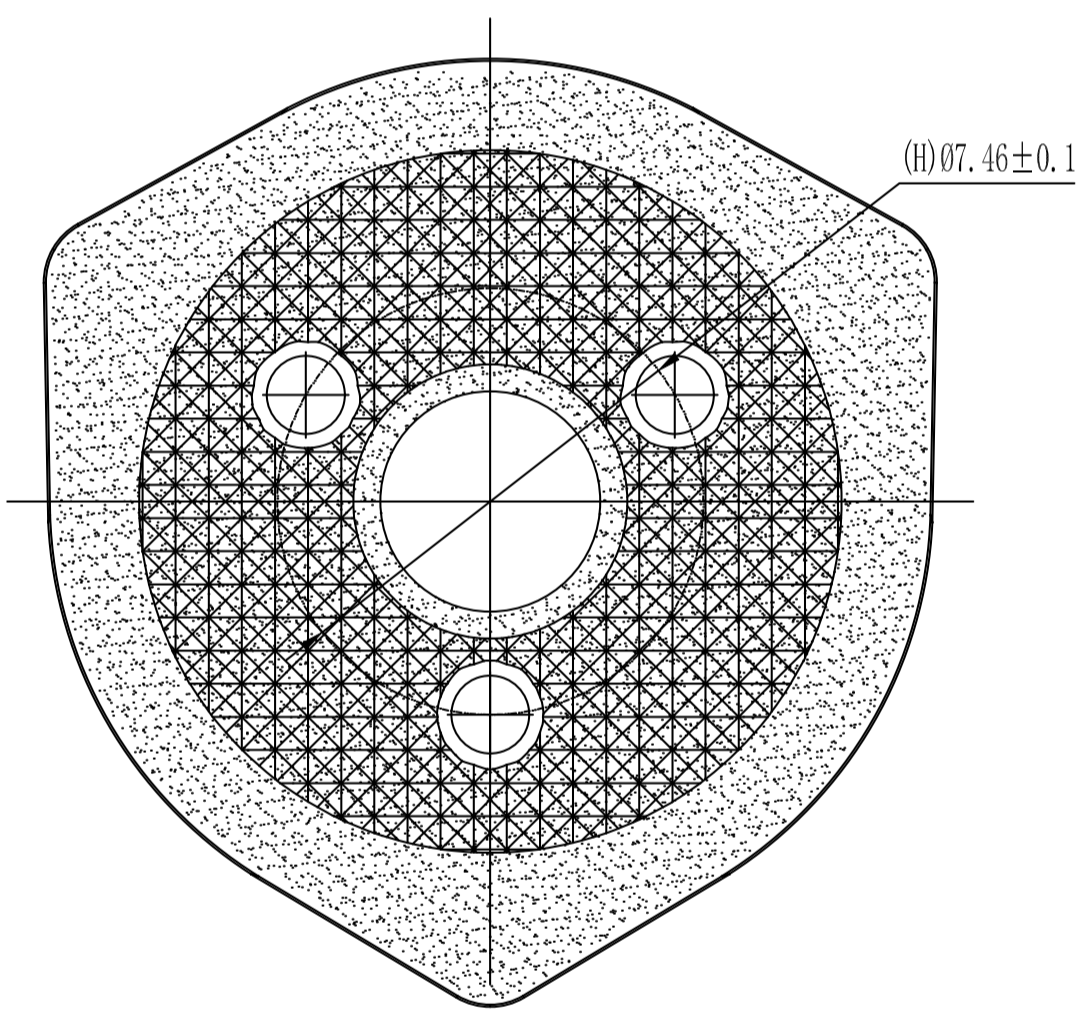
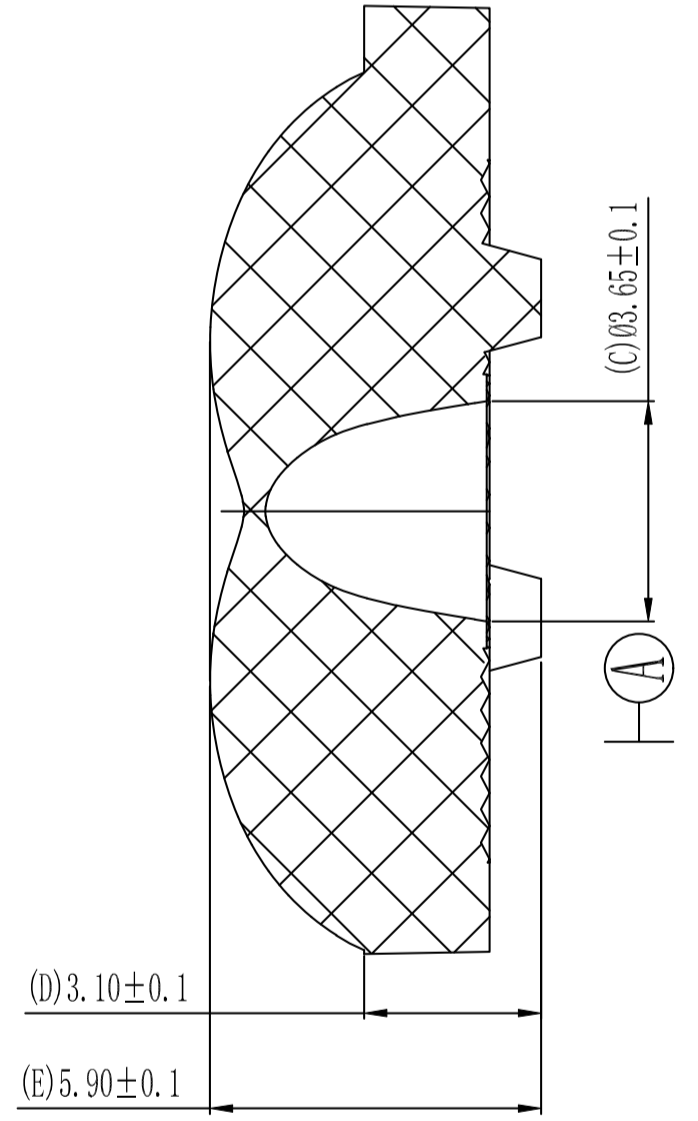
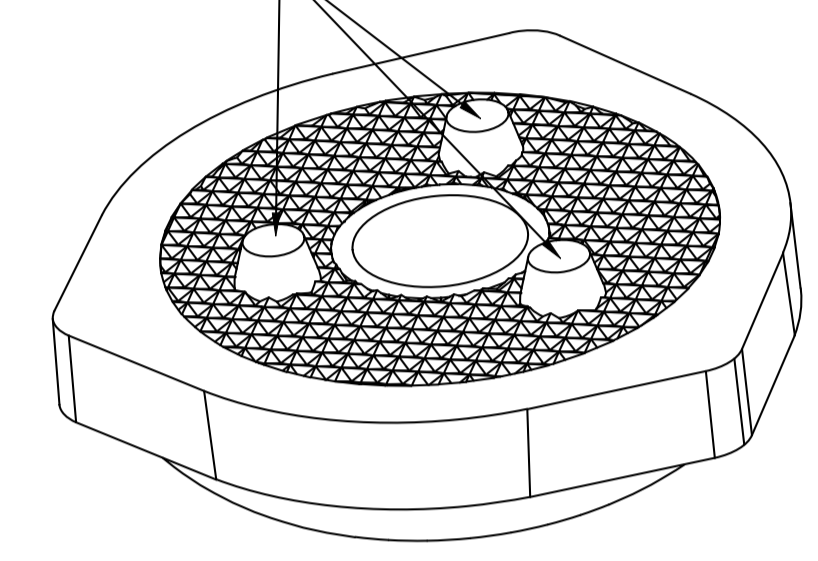
D

E

F



keep the same height



NOTE:

1. ALL SURFACES NO SHRINKAGE, BURRS, JUNCTION LINES ALLOWED
2. CRITICAL DIMENSIONS ARE INDICATED ON THE DRAWING
3. ALL INDICATED SURFACES ARE POLISHED, THE OPTICAL SURFACE POLISHING MUST BE SPI-A1 STANDARD
4. THE PARTS IS COMPLIANT TO ROHS AND REACH STANDARD

CHANGE						PART		颜色	Transparency		SCALE	1:1	ASAHI OPTICS LIMITED	
						0 ~ 10	±0.05	材质	PC+PMMA		UNIT	mm		
						10 ~ 20	±0.10	设计	C.Y.CAI	2021-05-25	SIZE	A4	料号 PART NO.	ATVH57-64-46W
	A/0	2021-05-21		NEW		30 ~	±0.20	核准			SHEET	ϕ $\frac{1}{i}$	品名 Product	TV lens
	版次 REV	日期 DATE		变更说明 MODIFICATION DESCRIPTION	变更 CHANGE	核准 APPROVE	Angle	± 1°	核准					
						DIM	TOL	核准						

1 2 3 4 5 6 7 8