

1 2 3 4 5 6 7 8

A

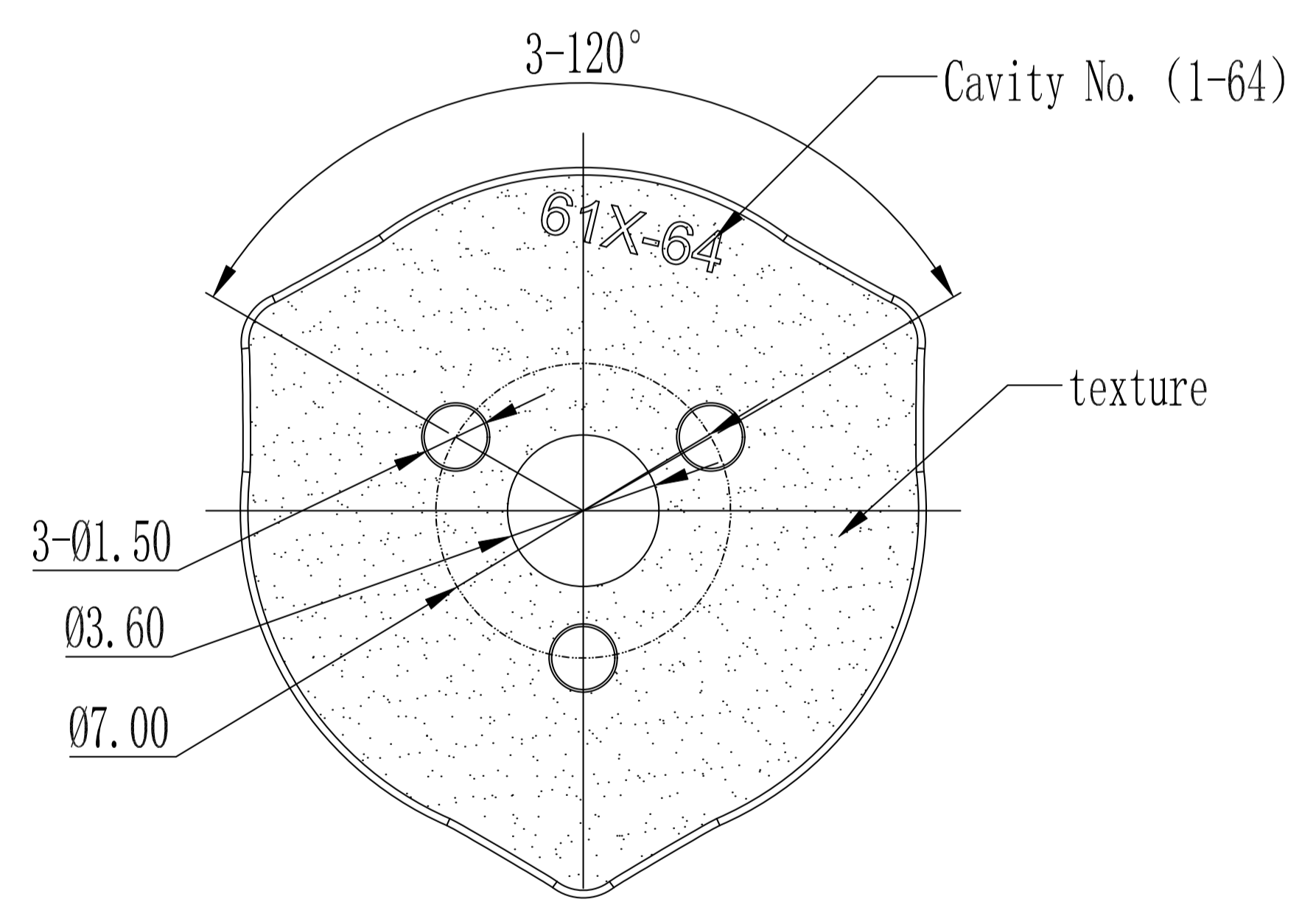
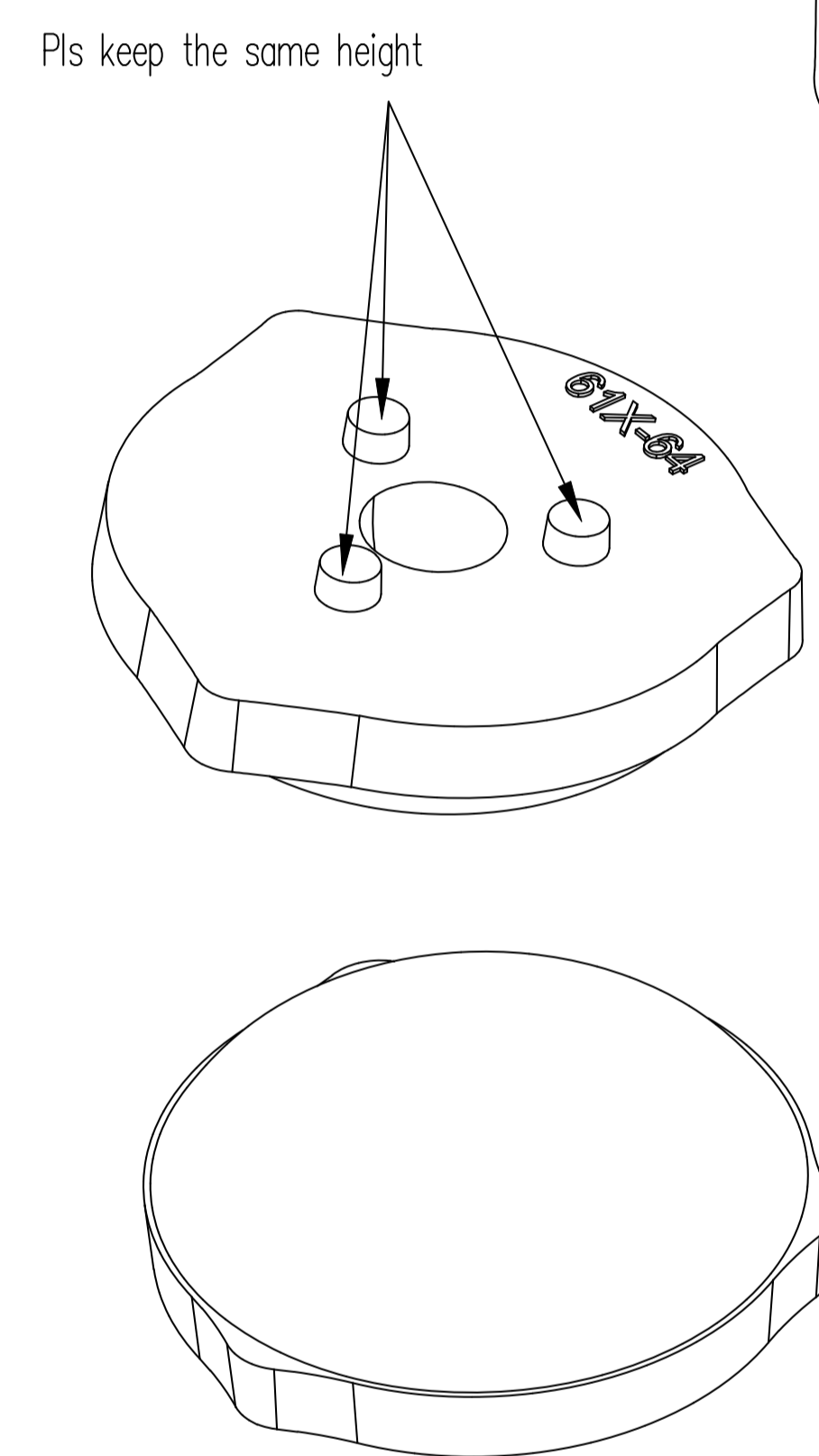
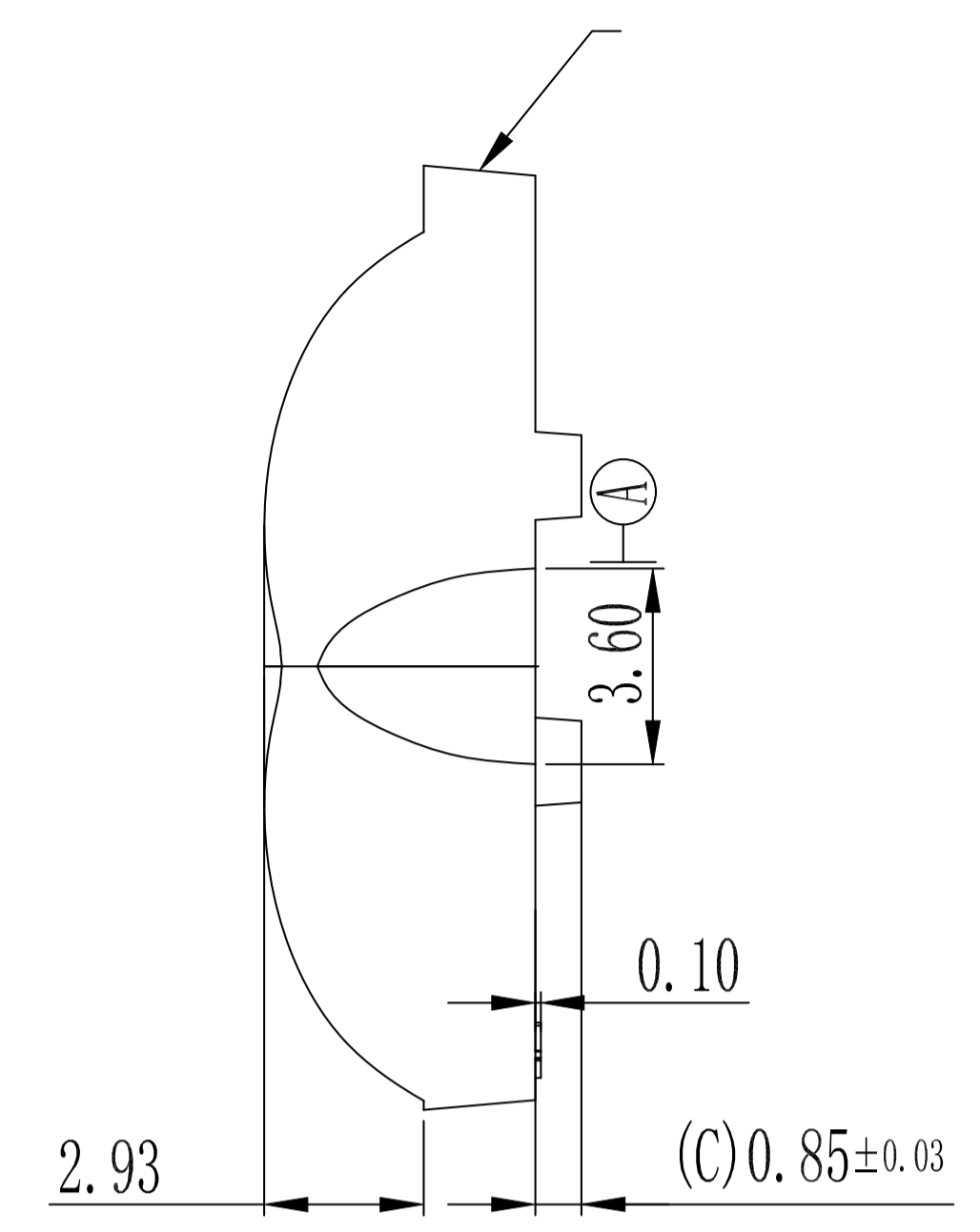
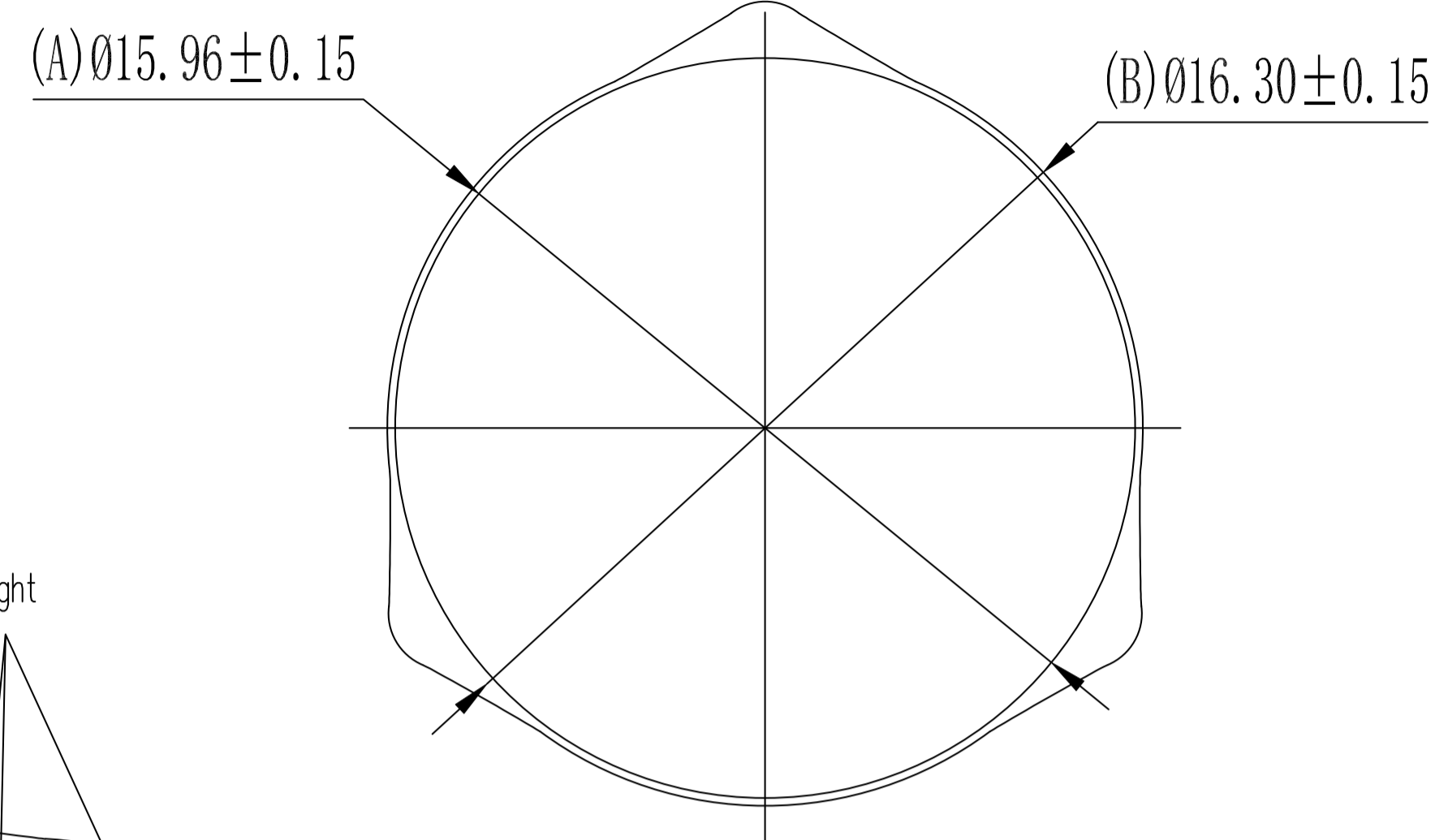
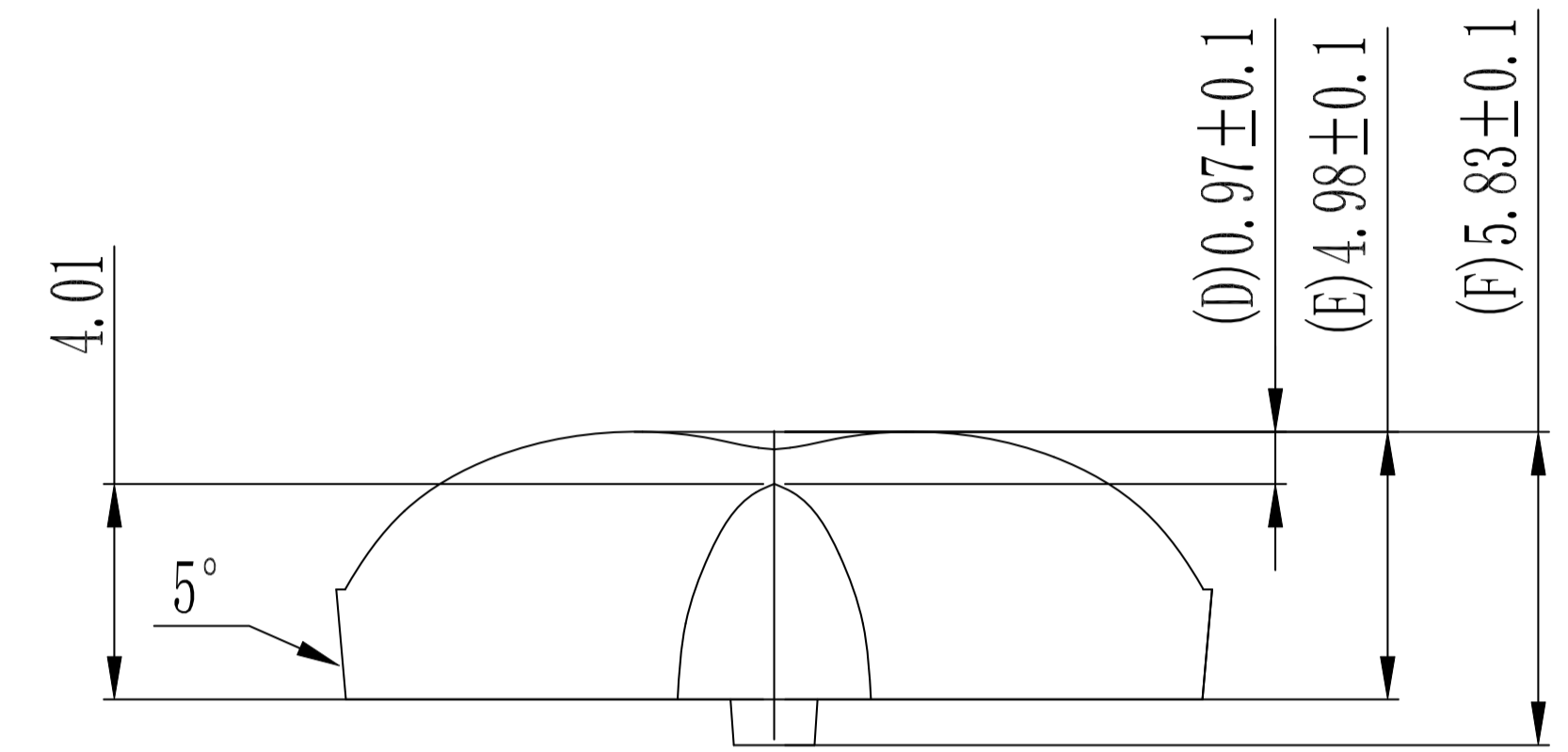
B

C

D

E

F



NOTE:

1. ALL SURFACES NO SHRINKAGE, BURRS, JUNCTION LINES ALLOWED
2. CRITICAL DIMENSIONS ARE INDICATED ON THE DRAWING
3. ALL INDICATED SURFACES ARE POLISHED, THE OPTICAL SURFACE POLISHING MUST BE SPI-A1 STANDARD
4. THE PARTS IS COMPLIANT TO ROHS AND REACH STANDARD

CHANGE						PART		颜色	Transparency		SCALE	1:1		<b>ASAHI OPTICS LIMITED</b>		
						0 ~ 10	±0.05	材质	PC+PMMA		UNIT	mm				
						10 ~ 20	±0.10	设计	C.Y.CAI 2021-05-25		SIZE	A4				
	A/0	2021-05-21		NEW			20 ~ 30	±0.15	核准					料号	PART NO.	ATV16D160G61X
	版次	日期		变更说明	变更	核准	30 ~	±0.20	设计					品名	Product	TV lens
	REV	DATE		MODIFICATION DESCRIPTION	CHANGE	APPROVE	Angle	± 1°	核准							
						DIM	TOL	APPROVE								

1 2 3 4 5 6 7 8