

1 2 3 4 5 6 7 8

A

B

C

D

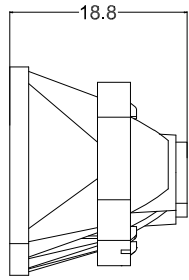
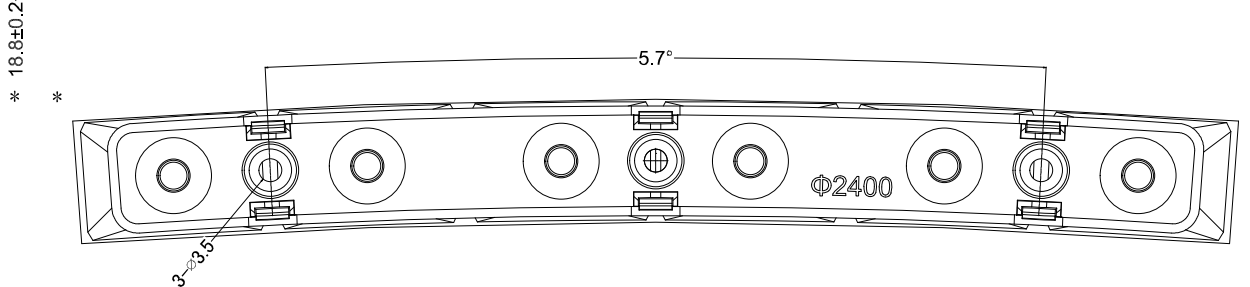
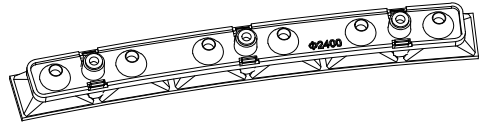
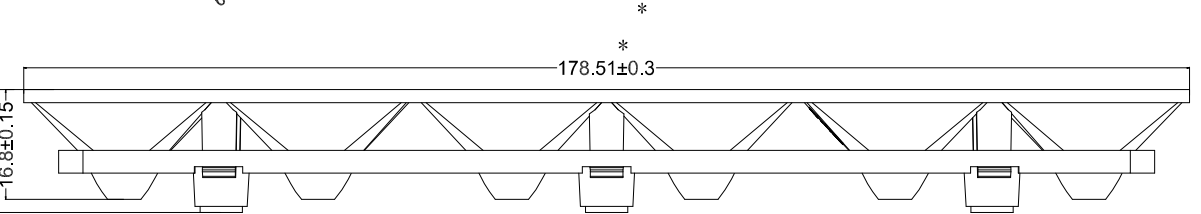
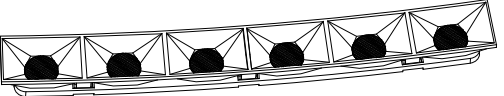
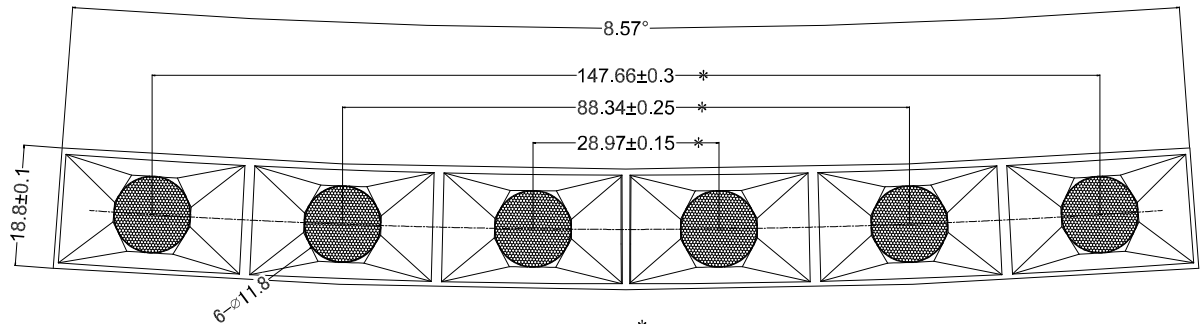
E

F

B

C

D



- NOTE:
1. ALL SURFACES NO SHRINKAGE,BURRS,JUNCTION LINES ALLOWED
 2. CRITICAL DIMENSIONS ARE INDICATED ON THE DRAWING
 3. ALL INDICATED SURFACES ARE POLISHED, THE OPTICAL SURFACE POLISHING MUST BE SPI-A1 STANDARD
 4. THE PARTS IS COMPLIANT TO ROHS AND REACH STANDARD

CHANGE						PART		颜色	Transparency		SCALE	1:1	 ASAHI OPTICS LIMITED		
						0 ~ 10	±0.05	COLOR			UNIT	mm			
						10 ~ 20	±0.10	MATERIAL	PMMA		SIZE	A4	料号	PART NO.	ASM-MKD-867
	A/0	2021-05-21				20 ~ 30	±0.15	DESIGN	C.Y.CAI	2021-05-21			品名	Product	2.4M&3M Ring Magnetic Lamp Lens
	版次	日期	变更说明	变更	核准	Angle	±1°	核准			SHEET				
REV	DATE	MODIFICATION DESCRIPTION	CHANGE	APPROVE	DIM	TOL	APPROVE								

1 2 3 4 5 6 7 8