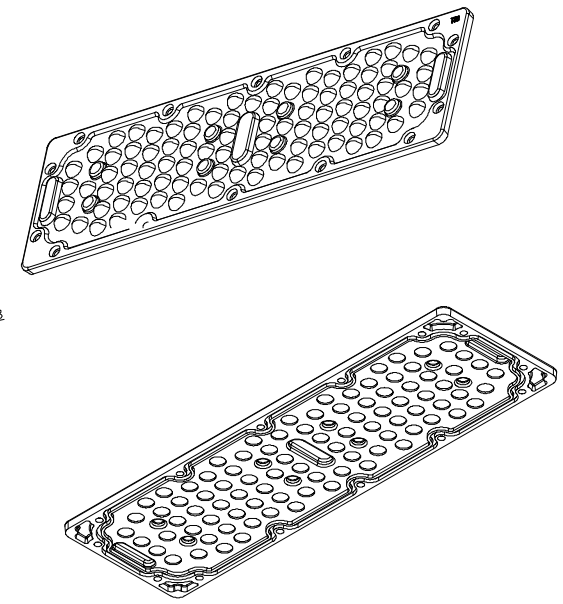
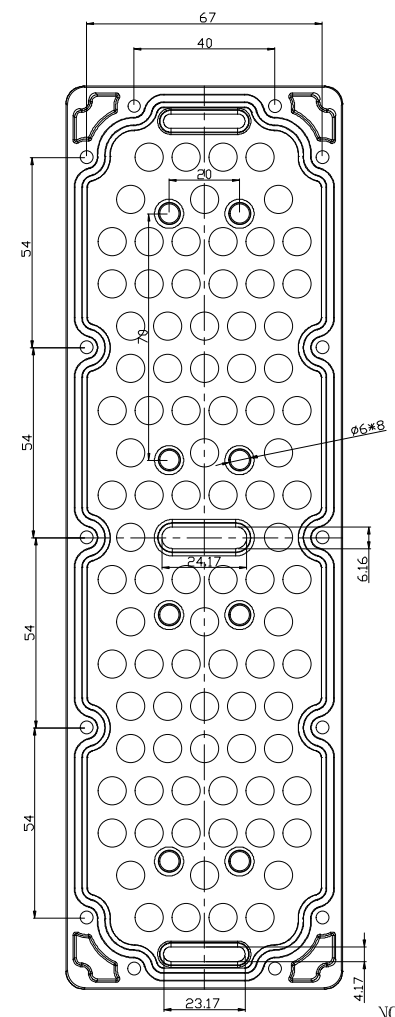
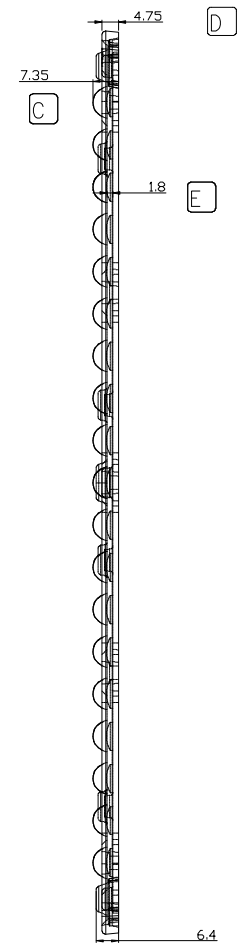
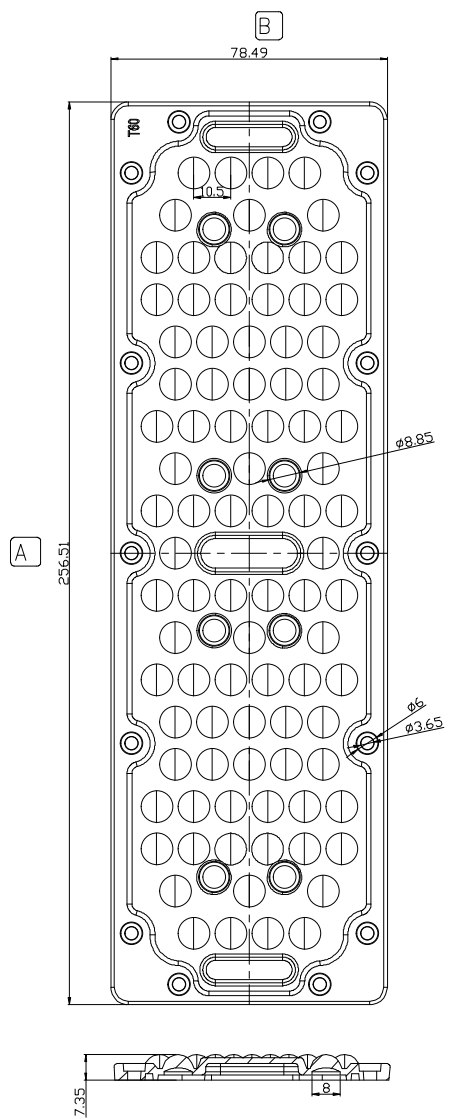


1 2 3 4 5 6 7 8

A
B
C
D
E

B
C
D



NOTE:
 1. ALL SURFACES NO SHRINKAGE, BURRS, JUNCTION LINES ALLOWED
 2. CRITICAL DIMENSIONS ARE INDICATED ON THE DRAWING
 3. ALL INDICATED SURFACES ARE POLISHED, THE OPTICAL SURFACE POLISHING MUST BE SPI-A1 STANDARD
 4. THE PARTS IS COMPLIANT TO ROHS AND REACH STANDARD

CHANGE					PART		顏色	Transparency		SCALE	1:1		ASAHI OPTICS LIMITED		
					0 ~ 10	±0.05	COLOR			UNIT	mm		料號 PART NO.		ARHB256D90LEDT60G
					10 ~ 20	±0.10	MATERIAL	PMMA		SIZE	A4		品名 Product:		High Bay Lens
					20 ~ 30	±0.15	DESIGN	C. Y. CAI 2018-11-21		SHEET	4				
					30 ~	±0.20	APPROVE								
				Angle	± 1'										
				DIM	TOL										
A/0	2018-11-21	NEW													
版次	日期	變更說明		變更	核准										
REV	DATE	MODIFICATION DESCRIPTION		CHANGE	APPROVE										

1 2 3 4 5 6 7 8