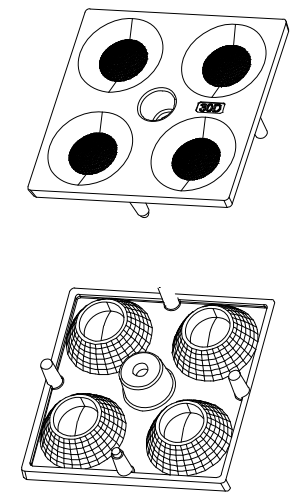
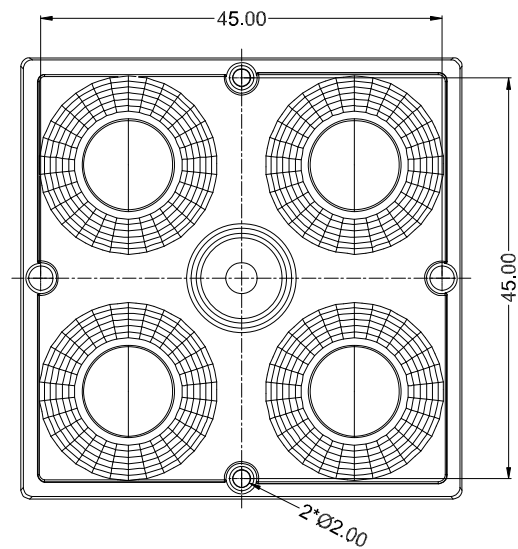
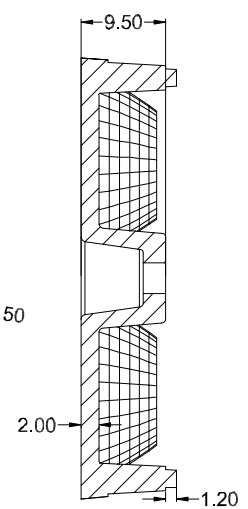


SECTION A-A



- NOTE:
1. ALL SURFACES NO SHRINKAGE,BURRS,JUNCTION LINES ALLOWED
  2. CRITICAL DIMENSIONS ARE INDICATED ON THE DRAWING
  3. ALL INDICATED SURFACES ARE POLISHED, THE OPTICAL SURFACE POLISHING MUST BE SPI-A1 STANDARD
  4. THE PARTS IS COMPLIANT TO ROHS AND REACH STANDARD

CHANGE					PART		颜色 COLOR		Transparency		SCALE	1:1	ASAHI OPTICS LIMITED	
					0 ~ 10	±0.05	材质 MATERIAL		PC		UNIT	mm		
	A/0	2021-05-21	NEW		10 ~ 20	±0.10	设计 DESIGN		C.Y.CAI		2022-05-25	SIZE	A4	料号 PART NO.
版本 REV	日期 DATE	变更说明 MODIFICATION DESCRIPTION		变更 CHANGE	核准 APPROVE	30 ~	±0.20	核准 APPROVE				SHEET	品名 Product	High bay light lens
						Angle	± 1°							
						DIM	TOL							