

1 2 3 4 5 6 7 8

A

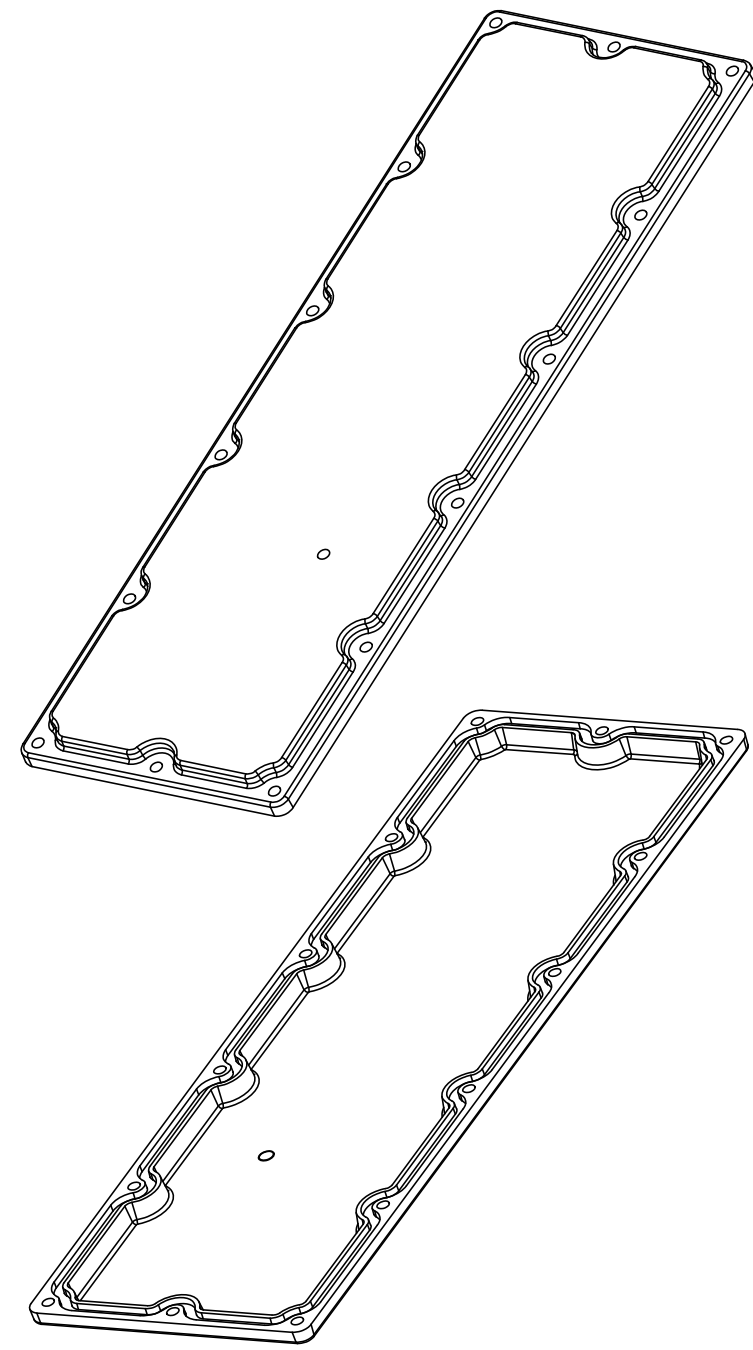
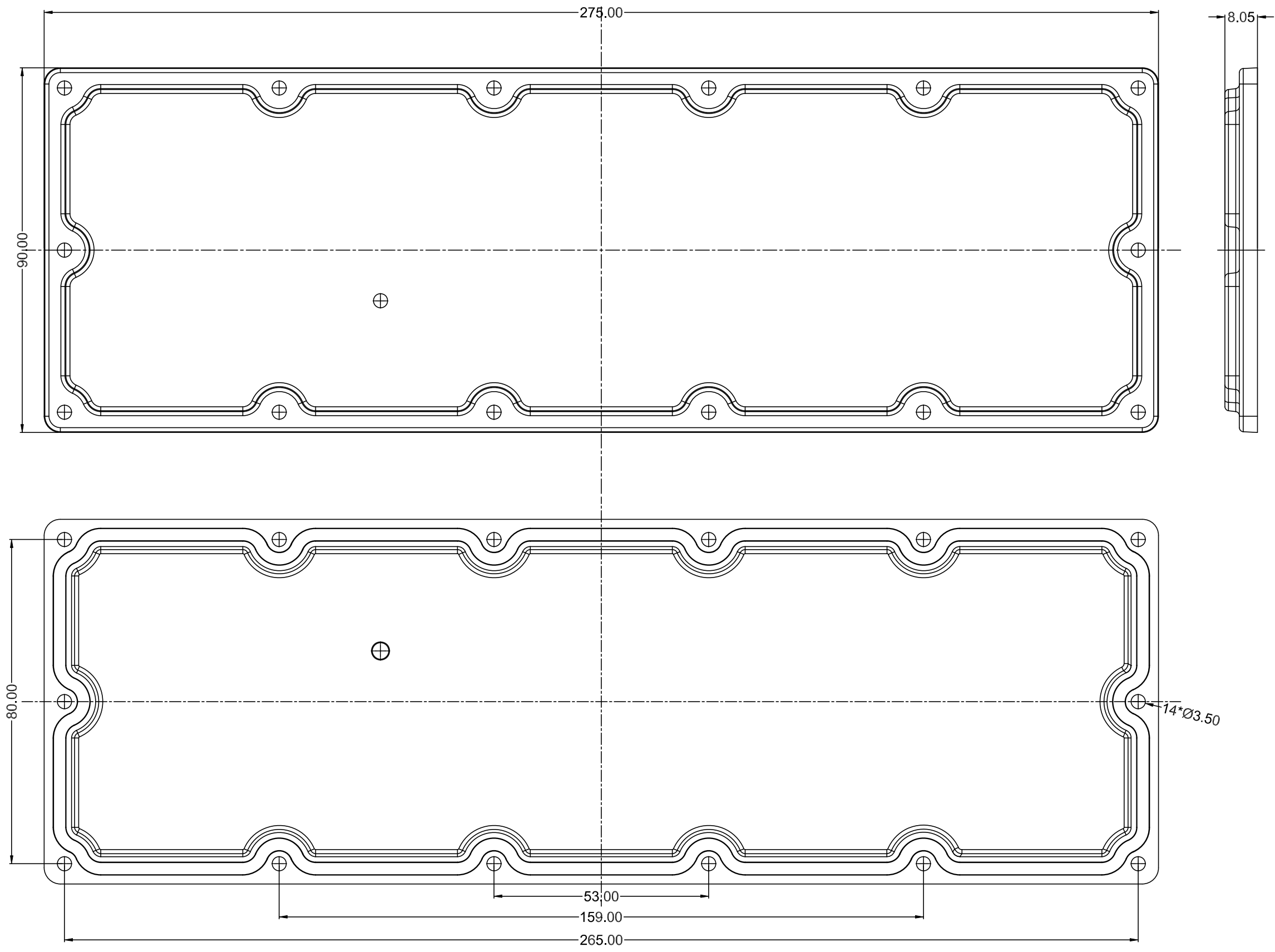
B

C

D

E

F



NOTE:

1. ALL SURFACES NO SHRINKAGE,BURRS,JUNCTION LINES ALLOWED
2. CRITICAL DIMENSIONS ARE INDICATED ON THE DRAWING
3. ALL INDICATED SURFACES ARE POLISHED, THE OPTICAL SURFACE POLISHING MUST BE SPI-A1 STANDARD
4. THE PARTS IS COMPLIANT TO ROHS AND REACH STANDARD

CHANGE						PART		颜色	Transparency		SCALE	1:1	 ASAHI OPTICS LIMITED 料号 PART NO. AJST275D35LED120G 品名 Product Street lens
						0 ~ 10	±0.05	COLOR			UNIT	mm	
						10 ~ 20	±0.10	材质	PC+PMMA		SIZE	A4	
	A/0	2021-05-21		NEW		20 ~ 30	±0.15	设计	C.Y.CAI	2021-05-25	SHEET	①	
	版次	日期		变更说明	变更	核准	30 ~	±0.20	DESIGN				
REV	DATE		MODIFICATION DESCRIPTION	CHANGE	APPROVE	Angle	± 1°	核准					
						DIM	TOL	APPROVE					

1 2 3 4 5 6 7 8