



# Specification

**Product: Single lens**

**MODEL: ADS21D20G**

**DATE: 2013-8-24**

## **ASAHI OPTICS LIMITED**

2/F SHALING BUILDING, SHAJING, BAO'AN SHENZHEN' CHINA  
TEL: +86-755-85241681 FAX: +86-755-83877899 EMAIL: [OPTICS@ASAHI-OPTICS.COM](mailto:OPTICS@ASAHI-OPTICS.COM)

Prepared by	Checked by	Approved by
T.C.SUN	H.J.HU	Z.Y.LIU

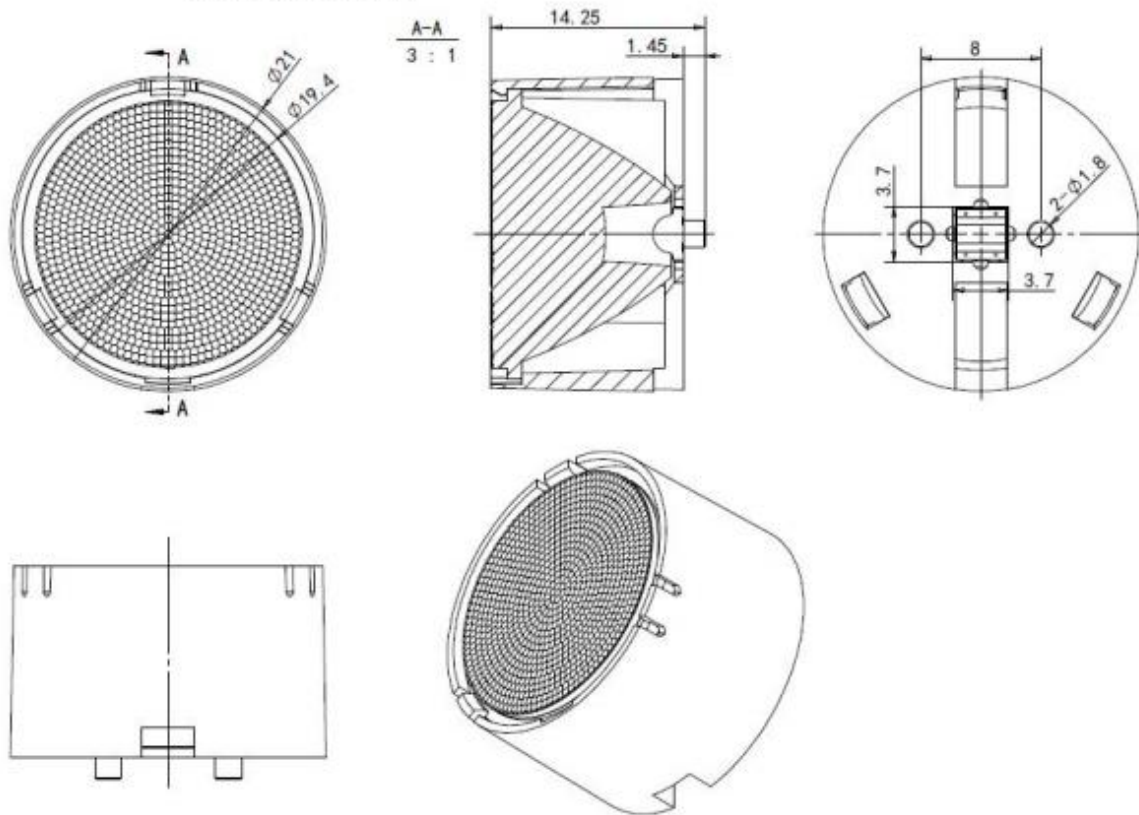


# Index

1. Cover
2. Index
3. Product description
4. Drawing
5. Test report
6. Material certificate

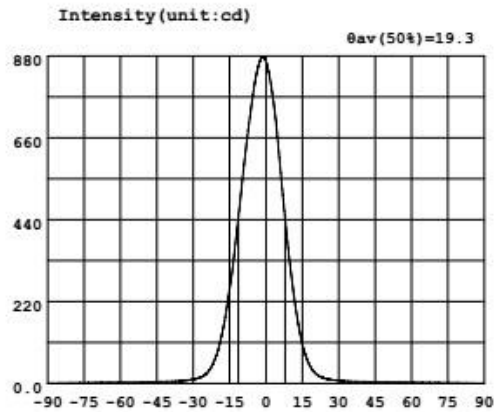
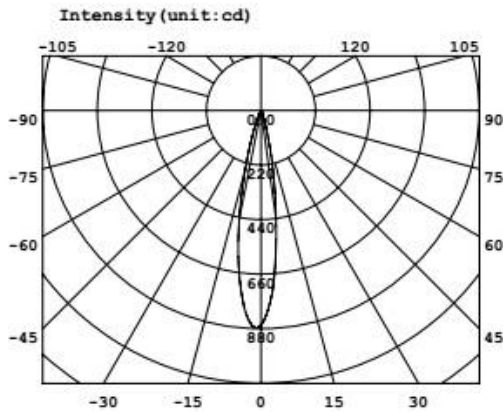
<b>Part Number</b>	<b>ADS21D20G</b>										
<b>Picture</b>											
<b>Dimension</b>	<b>21.0*12.8mm</b>										
<b>LED Type</b>	<table border="0"> <tr> <td></td> <td>XPE/XPG</td> </tr> <tr> <td></td> <td>NVSXX19A/B</td> </tr> <tr> <td></td> <td>SSL80/square</td> </tr> <tr> <td></td> <td>Federal3535</td> </tr> <tr> <td></td> <td>H35C1</td> </tr> </table>		XPE/XPG		NVSXX19A/B		SSL80/square		Federal3535		H35C1
	XPE/XPG										
	NVSXX19A/B										
	SSL80/square										
	Federal3535										
	H35C1										
<b>Beam Angle</b>	<b>20°</b>										
<b>Efficiency</b>	<b>90%</b>										
<b>Material</b>	<b>Lens PMMA, Holder PC</b>										

Lens Dimension





GO1900L GONIOPHOTOMETER Test Report Page 1 Of 2



Intensity data:(deg , cd) C0-180

A	I	A	I	A	I	A	I	A	I	A	I
-90.0	0.2698	-58.0	3.485	-26.0	19.27	6.0	572.8	38.0	5.090	70.0	1.979
-88.0	0.4563	-56.0	3.567	-24.0	30.16	8.0	435.4	40.0	4.911	72.0	1.805
-86.0	0.6430	-54.0	3.611	-22.0	50.65	10.0	315.2	42.0	4.662	74.0	1.640
-84.0	0.8709	-52.0	3.693	-20.0	84.16	12.0	213.8	44.0	4.323	76.0	1.432
-82.0	0.9750	-50.0	3.895	-18.0	136.6	14.0	136.6	46.0	4.102	78.0	1.246
-80.0	1.202	-48.0	4.186	-16.0	209.4	16.0	82.03	48.0	3.943	80.0	1.038
-78.0	1.347	-46.0	4.494	-14.0	297.2	18.0	48.86	50.0	3.794	82.0	0.8524
-76.0	1.595	-44.0	4.846	-12.0	408.5	20.0	29.35	52.0	3.743	84.0	0.5919
-74.0	1.762	-42.0	5.118	-10.0	529.2	22.0	19.31	54.0	3.794	86.0	0.3756
-72.0	1.969	-40.0	5.346	-8.0	644.8	24.0	14.21	56.0	3.615	88.0	0.2329
-70.0	2.258	-38.0	5.753	-6.0	745.7	26.0	10.97	58.0	3.339	90.0	0.2651
-68.0	2.590	-36.0	6.429	-4.0	828.6	28.0	9.203	60.0	3.110		
-66.0	2.840	-34.0	7.433	-2.0	872.8	30.0	7.754	62.0	2.859		
-64.0	3.068	-32.0	8.942	0.0	865.5	32.0	6.619	64.0	2.676		
-62.0	3.254	-30.0	11.17	2.0	805.4	34.0	5.876	66.0	2.427		
-60.0	3.421	-28.0	14.22	4.0	711.0	36.0	5.422	68.0	2.170		

Electricity Parameter:

Current I: 1.350A Power: 0.0W  
Voltage V: 3.598V PF: 0.000

Optical Parameter(Distance=3.000m) :

Equivalent Luminous flux:  $\Phi_{eff} = 135.7lm$  Efficiency:  $Eff=0.00lm/W$   
Diffuse angle: @ (25%): 27.5deg @ (50%): 19.3deg @ (75%): 12.5deg @ (50%): 19.3deg  
Diffuse angle: @ (25%): 27.7deg @ (50%): 19.5deg @ (75%): 12.8deg @ (50%): 19.5deg  
 $I_{max}=875.8cd$  (C=0.0deg,G=-1.0deg) C0-180Plane  $I_{max}= 875.8cd$ (G=-1.0deg)  
C0-180Plane  $I_{0}= 865.5cd$

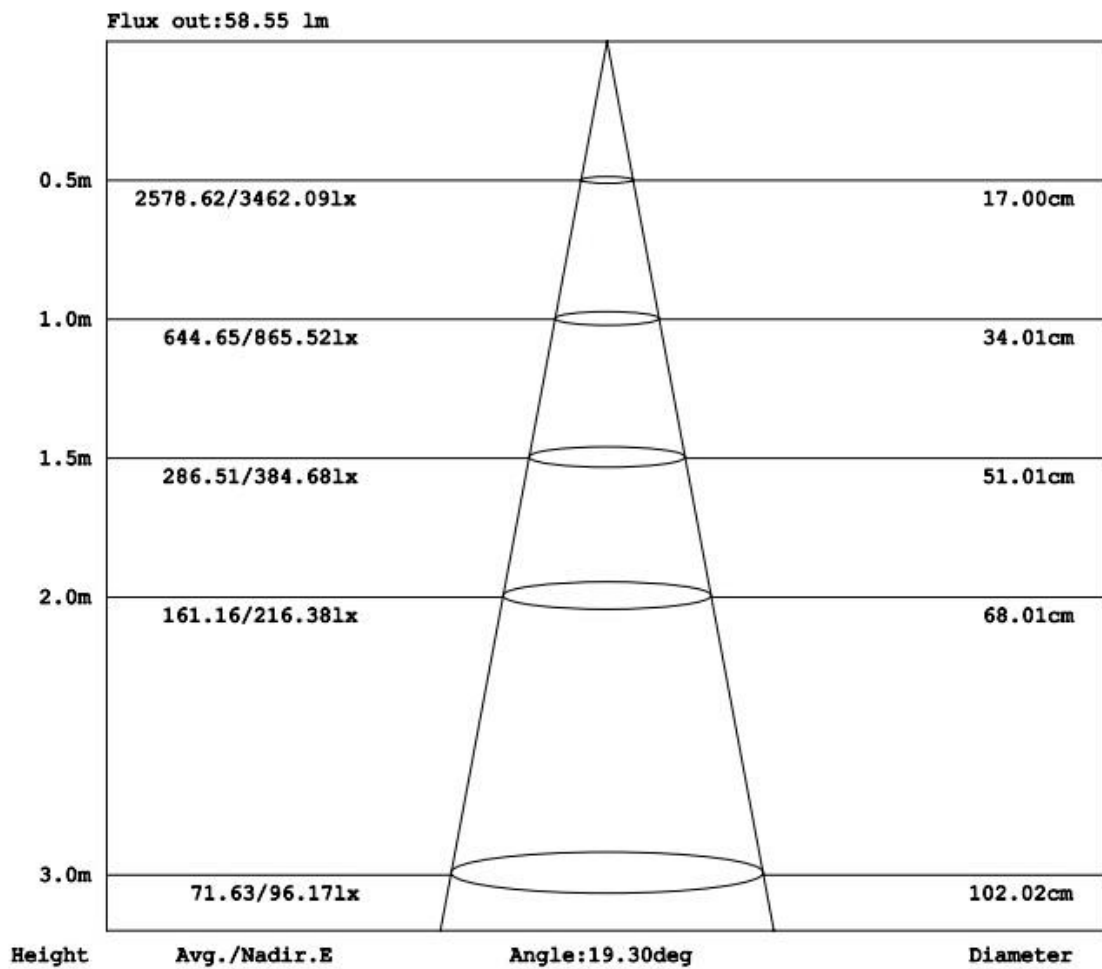
Lamp Type:single lens  
Tester:ASAHI  
Temperature:25.3deg  
Manufacturer:ASAHI

Luminaires Type:CREE XPE  
Test Date:  
Humidity:65%  
Remarks:



GO1900L GONIOPHOTOMETER Test Report Page 2 Of 2

Average Illuminance Figure



Lamp Type:single lens  
 Tester:ASAHI  
 Temperature:25.3deg  
 Manufacturer:ASAHI

Luminaires Type:CREE XPE  
 Test Date:  
 Humidity:65%  
 Remarks:



15-9-30

UL Certification

iq.ul.com

Component - Plastics [guide info]

E256044

MITSUBISHI RAYON POLYMER NANTONG CO LTD

NANTONG ECONOMIC & TECH DEV AREA, 6 GUANGZHOU RD, NANTONG JIANGSU 226009 CN

VH(ww)(f1), VH(f1), VHM(f1), VHS(f1)

Polymethyl Methacrylate (PMMA), "Shinkolite-P, Acrypet", furnished as pellets

Color	Min Thk (mm)	Flame Class	HWI		RTI		RTI Str
			HWI	HAI	Elec	Imp	
ALL	1.5	HB	4	0	50	50	50
	3.0	HB	3	0	50	50	50

Comparative Tracking Index (CTI): -

Inclined Plane Tracking (IPT): -

Dielectric Strength (kV/mm): -

Volume Resistivity (10<sup>X</sup> ohm-cm): -

High-Voltage Arc Tracking Rate (HVTR): -

High Volt, Low Current Arc Resis (D495): -

Dimensional Stability (%): -

(f1) - Suitable for outdoor use with respect to exposure to Ultraviolet Light, Water Exposure and Immersion in accordance with UL 746C.

(ww) - With or without a digit 0-3,5,7-9 incl.

ANSI/UL 94 small-scale test data does not pertain to building materials, furnishings and related contents. ANSI/UL 94 small-scale test data is intended solely for determining the flammability of plastic materials used in the components and parts of end-product devices and appliances, where the acceptability of the combination is determined by UL.

Report Date: 2013-01-02

Last Revised: 2013-01-23

© 2015 UL LLC



IEC and ISO Test Methods

Test Name	Test Method	Units	Thk (mm)	Value
Flammability	IEC 60695-11-10	Class (color)	1.5	HB75 (ALL)
			3.0	HB40 (ALL)
Glow-Wire Flammability (GWFI)	IEC 60695-2-12	C	-	-
Glow-Wire Ignition (GWIT)	IEC 60695-2-13	C	-	-
IEC Comparative Tracking Index	IEC 60112	Volts (Max)	-	-
IEC Ball Pressure	IEC 60695-10-2	C	-	-
ISO Heat Deflection (1.80 MPa)	ISO 75-2	C	-	-
ISO Tensile Strength	ISO 527-2	MPa	-	-
ISO Flexural Strength	ISO 178	MPa	-	-
ISO Tensile Impact	ISO 8256	kJ/m <sup>2</sup>	-	-
ISO Izod Impact	ISO 180	kJ/m <sup>2</sup>	-	-
ISO Charpy Impact	ISO 179-2	kJ/m <sup>2</sup>	-	-