



Specification

Product: Single lens

MODEL: ALS23D1560G

DATE: 2014-9-01

ASAHI OPTICS LIMITED

2/F SHALING BUILDING, SHAJING, BAO'AN SHENZHEN' CHINA
TEL: +86-755-85241681 FAX: +86-755-83877899 EMAIL: OPTICS@ASAHI-OPTICS.COM

Prepared by	Checked by	Approved by
T.C.SUN	H.J.HU	Z.Y.LIU

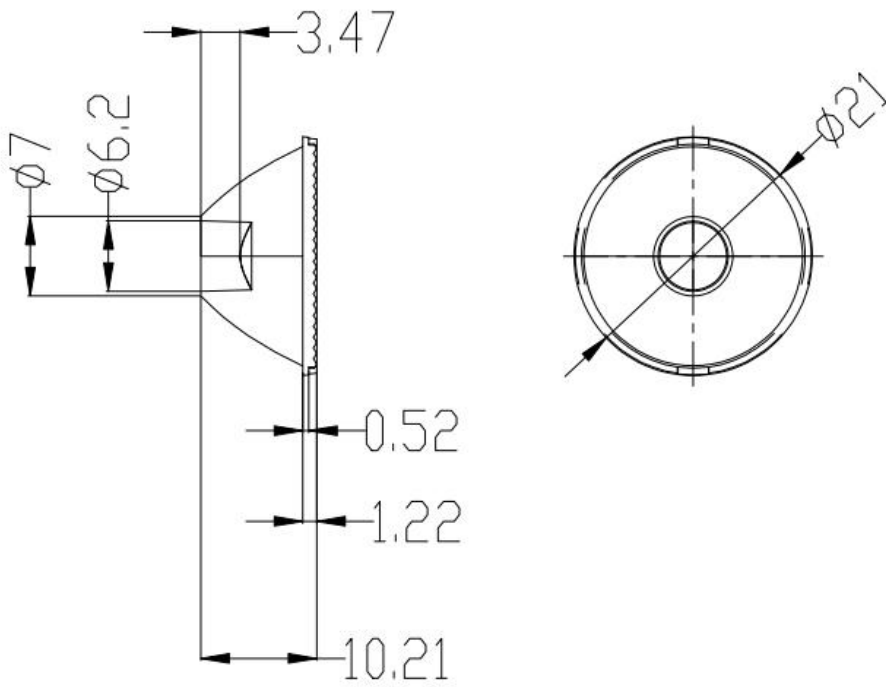


Index

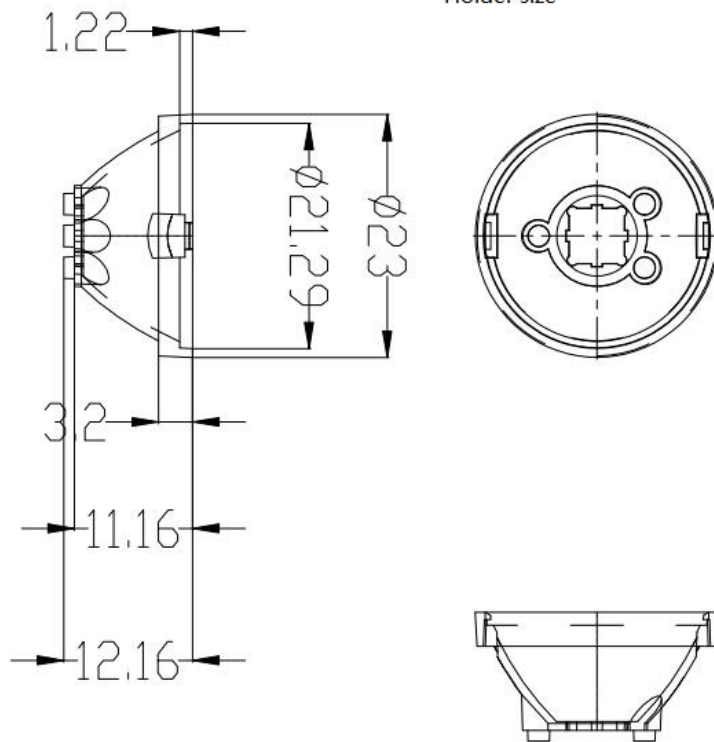
1. Cover
2. Index
3. Product description
4. Drawing
5. Test report
6. Material certificate

Part Number	AYS23D1560G								
Picture									
Dimension	23.0*11.16mm								
LED Type	<table border="1"> <tr> <td></td> <td>XML/MCE</td> </tr> <tr> <td></td> <td>Ostar RGBW</td> </tr> <tr> <td></td> <td>Federal5050</td> </tr> <tr> <td></td> <td>H35A</td> </tr> </table> RGB LED		XML/MCE		Ostar RGBW		Federal5050		H35A
	XML/MCE								
	Ostar RGBW								
	Federal5050								
	H35A								
Beam Angle	15°*60°								
Efficiency	88%								
Material	Lens PMMA, Holder PC								

lens size



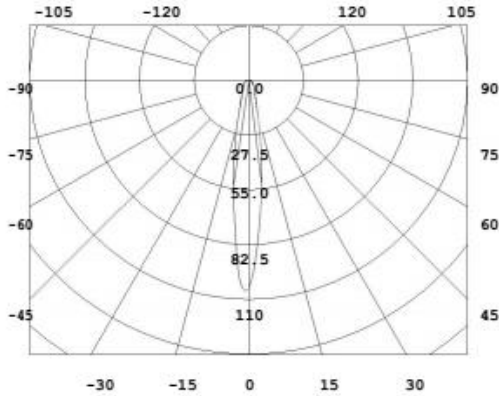
Holder size



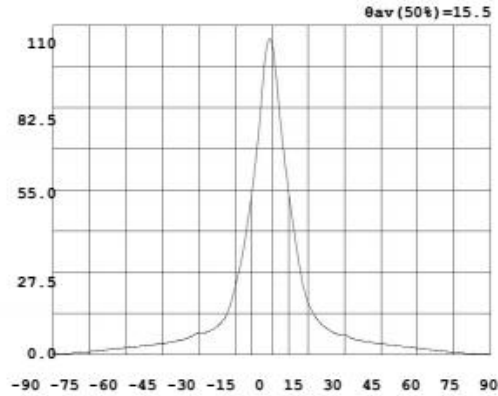


GO1900L GONIOPHOTOMETER Test Report Page 1 Of 2

Intensity(unit:cd) C0-180



Intensity(unit:cd)C0-180



Intensity data:(deg , cd) C0-180

Table with 12 columns (A, I, A, I, A, I, A, I, A, I, A, I) and 17 rows of intensity data points from -90.0 to -60.0 degrees.

Electricity Parameter:

Current I: 247.0A Power: 3.000W
Voltage V: 0.3000V PF: 1.000

Optical Parameter(Distance=3.000m):

Equivalent Luminous flux: phi_eff = 26.43lm Efficiency: Eff=8.81lm/W
Diffuse angle: @ (25%): 25.8deg @ (50%): 15.5deg @ (75%): 8.1deg @ (50%): 15.5deg
Diffuse angle: @ (25%): 26.0deg @ (50%): 15.7deg @ (75%): 8.3deg @ (50%): 15.7deg
I_max=105.5cd (C=0.0deg,G=-1.0deg) C0-180Plane I_max= 105.5cd(G=-1.0deg)
C0-180Plane I_0= 104.1cd

Lamp Type:SINGLE LENS
Tester:ASAHI
Temperature:25.3deg
Manufacturer:ASAHI

Luminaires Type:CREE XML
Test Date:2014-08-29
Humidity:65%
Remarks:



15-9-30

UL Certification

iq.ul.com

Component - Plastics [guide info]

E256044

MITSUBISHI RAYON POLYMER NANTONG CO LTD

NANTONG ECONOMIC & TECH DEV AREA, 6 GUANGZHOU RD, NANTONG JIANGSU 226009 CN

VH(ww)(f1), VH(f1), VHM(f1), VHS(f1)

Polymethyl Methacrylate (PMMA), "Shinkolite-P, Acrypet", furnished as pellets

Color	Min Thk (mm)	Flame Class	HWI	HAI	RTI Elec	RTI Imp	RTI Str
ALL	1.5	HB	4	0	50	50	50
	3.0	HB	3	0	50	50	50

Comparative Tracking Index (CTI): -

Inclined Plane Tracking (IPT): -

Dielectric Strength (kV/mm): -

Volume Resistivity (10^X ohm-cm): -

High-Voltage Arc Tracking Rate (HVTR): -

High Volt, Low Current Arc Resis (D495): -

Dimensional Stability (%): -

(f1) - Suitable for outdoor use with respect to exposure to Ultraviolet Light, Water Exposure and Immersion in accordance with UL 746C.

(ww) - With or without a digit 0-3,5,7-9 incl.

ANSI/UL 94 small-scale test data does not pertain to building materials, furnishings and related contents. ANSI/UL 94 small-scale test data is intended solely for determining the flammability of plastic materials used in the components and parts of end-product devices and appliances, where the acceptability of the combination is determined by UL.

Report Date: 2013-01-02

Last Revised: 2013-01-23

© 2015 UL LLC



IEC and ISO Test Methods

Test Name	Test Method	Units	Thk (mm)	Value
Flammability	IEC 60695-11-10	Class (color)	1.5	HB75 (ALL)
			3.0	HB40 (ALL)
Glow-Wire Flammability (GWFI)	IEC 60695-2-12	C	-	-
Glow-Wire Ignition (GWIT)	IEC 60695-2-13	C	-	-
IEC Comparative Tracking Index	IEC 60112	Volts (Max)	-	-
IEC Ball Pressure	IEC 60695-10-2	C	-	-
ISO Heat Deflection (1.80 MPa)	ISO 75-2	C	-	-
ISO Tensile Strength	ISO 527-2	MPa	-	-
ISO Flexural Strength	ISO 178	MPa	-	-
ISO Tensile Impact	ISO 8256	kJ/m ²	-	-
ISO Izod Impact	ISO 180	kJ/m ²	-	-
ISO Charpy Impact	ISO 179-2	kJ/m ²	-	-