



Specification

Product: **Single lens**

MODEL: **AYS29D5G**

DATE: **2013-8-24**

ASAHI OPTICS LIMITED


2/F SHALING BUILDING, SHAJING, BAO'AN SHENZHEN' CHINA
TEL: +86-755-85241681 FAX: +86-755-83877899 EMAIL: OPTICS@ASAHI-OPTICS.COM

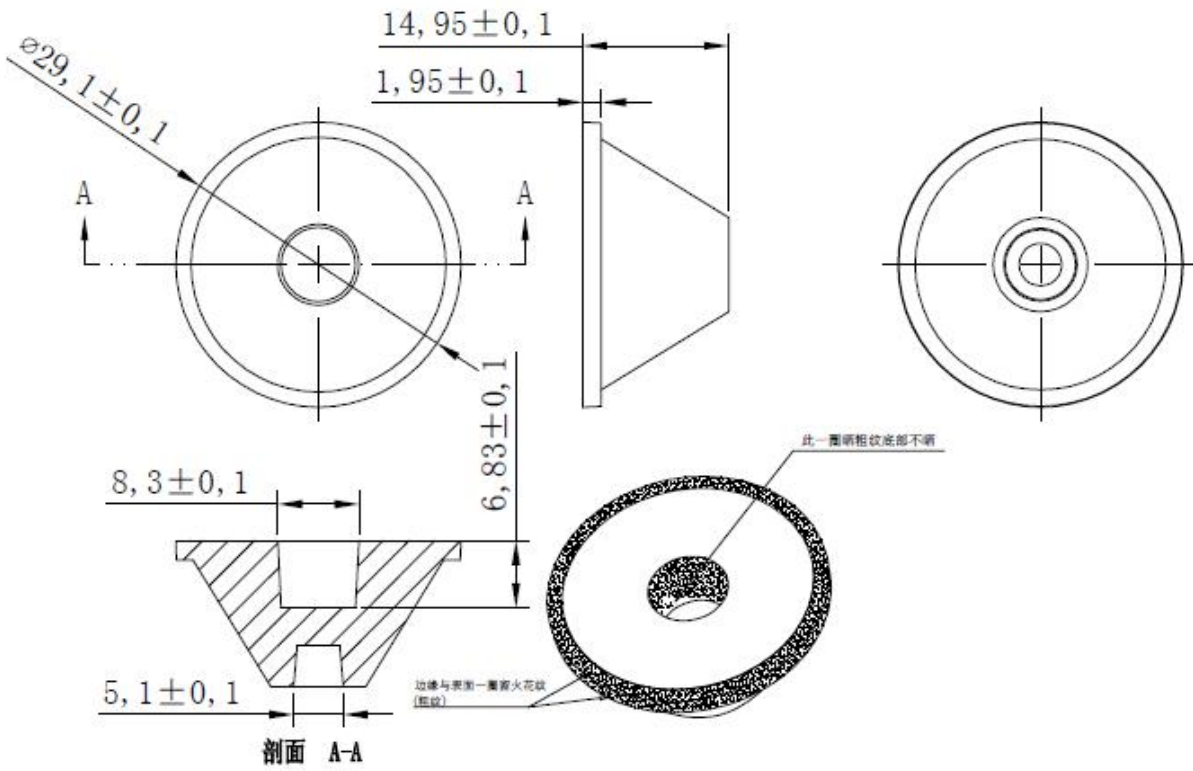
Prepared by	Checked by	Approved by
T.C.SUN	H.J.HU	Z.Y.LIU



Index

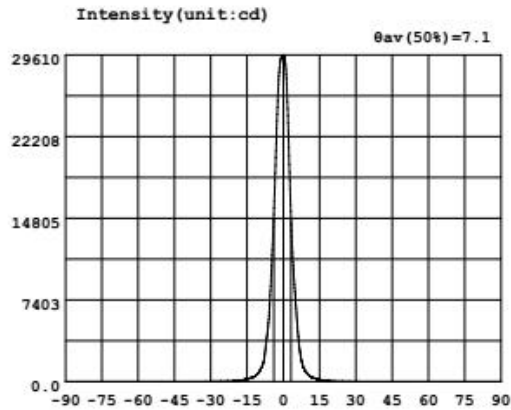
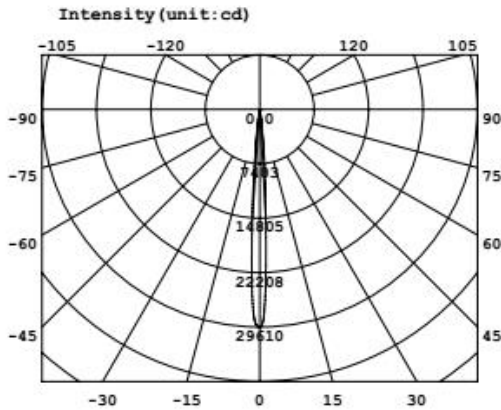
1. Cover
2. Index
3. Product description
4. Drawing
5. Test report
6. Material certificate

Part Number	AYS29D5G										
Picture											
Dimension	29.1*14.95mm										
LED Type	<table border="0"> <tr> <td>CREE</td> <td>XPE/XPG</td> </tr> <tr> <td>NICHIA</td> <td>NVSXX19A/B</td> </tr> <tr> <td>OSRAM</td> <td>SSL80/square</td> </tr> <tr> <td>EDISON</td> <td>Federal3535</td> </tr> <tr> <td>LG Innotek</td> <td>H35C1</td> </tr> </table>	CREE	XPE/XPG	NICHIA	NVSXX19A/B	OSRAM	SSL80/square	EDISON	Federal3535	LG Innotek	H35C1
CREE	XPE/XPG										
NICHIA	NVSXX19A/B										
OSRAM	SSL80/square										
EDISON	Federal3535										
LG Innotek	H35C1										
Beam Angle	5°										
Efficiency	90%										
Material	Lens PMMA, Holder PC										





GO1900L GONIOPHOTOMETER Test Report Page 1 Of 2



Intensity data:(deg , cd) C0-180

A	I	A	I	A	I	A	I	A	I	A	I
-90.0	0.1868	-58.0	5.557	-26.0	38.06	6.0	4564	38.0	6.635	70.0	2.083
-88.0	0.1661	-56.0	5.664	-24.0	46.62	8.0	1501	40.0	6.340	72.0	1.810
-86.0	0.2903	-54.0	5.204	-22.0	55.37	10.0	735.4	42.0	5.786	74.0	1.577
-84.0	0.4352	-52.0	4.473	-20.0	72.70	12.0	388.5	44.0	5.116	76.0	1.333
-82.0	0.6423	-50.0	4.663	-18.0	124.1	14.0	245.8	46.0	4.552	78.0	1.130
-80.0	0.8701	-48.0	4.818	-16.0	188.2	16.0	152.1	48.0	4.907	80.0	0.8610
-78.0	1.098	-46.0	4.619	-14.0	294.4	18.0	99.38	50.0	4.536	82.0	0.6494
-76.0	1.285	-44.0	5.231	-12.0	453.8	20.0	60.09	52.0	4.543	84.0	0.4539
-74.0	1.512	-42.0	5.793	-10.0	874.0	22.0	46.62	54.0	5.208	86.0	0.3088
-72.0	1.719	-40.0	6.515	-8.0	1916	24.0	39.07	56.0	5.429	88.0	0.2306
-70.0	2.374	-38.0	7.178	-6.0	5604	26.0	30.89	58.0	5.290	90.0	0.2490
-68.0	3.018	-36.0	8.260	-4.0	14591	28.0	22.62	60.0	4.903		
-66.0	3.398	-34.0	9.993	-2.0	26939	30.0	15.67	62.0	4.296		
-64.0	3.891	-32.0	13.43	0.0	29603	32.0	11.18	64.0	3.704		
-62.0	4.676	-30.0	19.59	2.0	23432	34.0	8.733	66.0	3.328		
-60.0	5.282	-28.0	28.18	4.0	10890	36.0	7.470	68.0	2.692		

Electricity Parameter:

Current I: 0.6800A Power: 0.0W
Voltage V: 9.500V PF: 0.000

Optical Parameter (Distance=3.000m) :

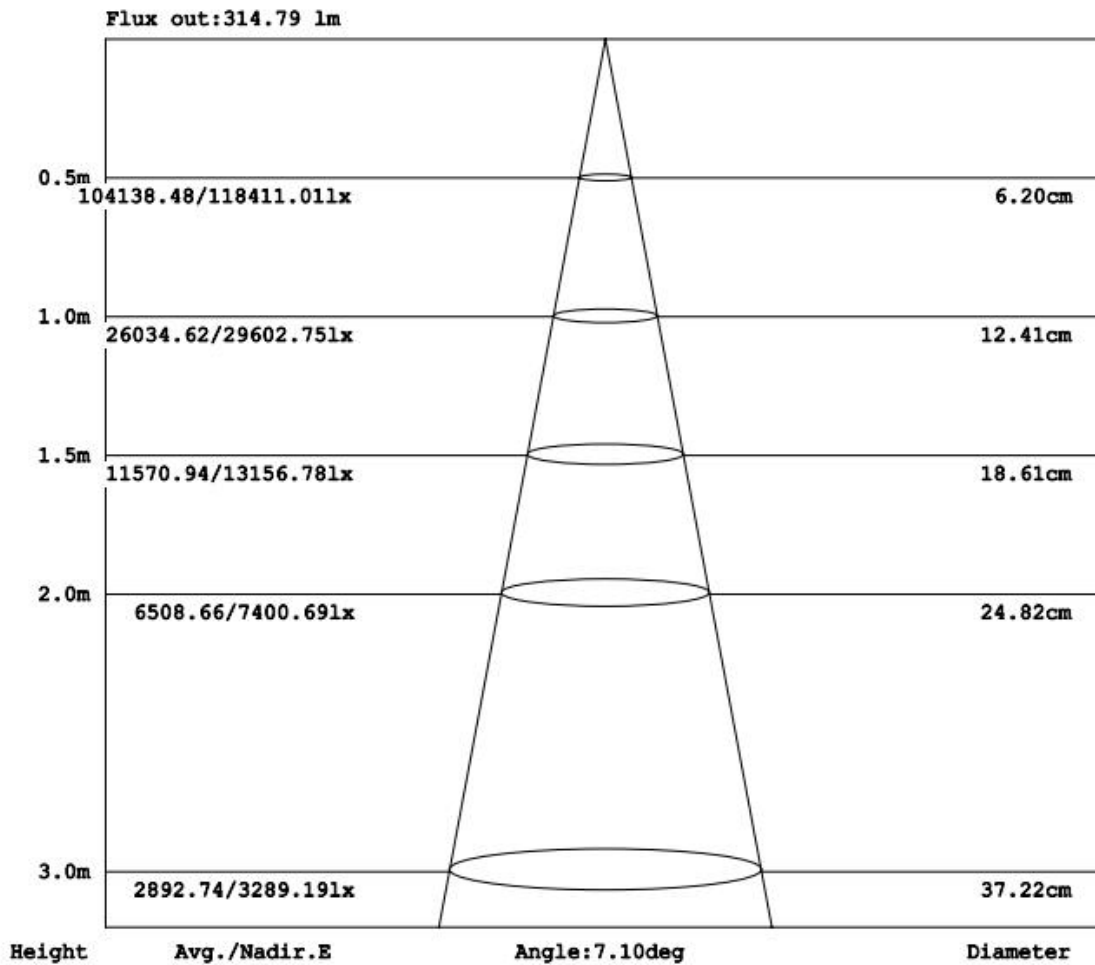
Equivalent Luminous flux: $\Phi_{eff} = 711.2lm$ Efficiency: $Eff=0.00lm/W$
Diffuse angle: @ (25%): 10.4deg @ (50%): 7.1deg @ (75%): 4.9deg @ (50%): 7.1deg
Diffuse angle: @ (25%): 10.4deg @ (50%): 7.1deg @ (75%): 4.9deg @ (50%): 7.1deg
 $I_{max}=29603cd$ (C=0.0deg,G=0.0deg) C0-180Plane $I_{max}= 29603cd$ (G=0.0deg)
C0-180Plane $I_0= 29603cd$

Lamp Type:single lens
Tester:ASAHI
Temperature:25.3deg
Manufacturer:ASAHI

Luminaires Type:CREE XPG
Test Date:2016-08-4
Humidity:65%
Remarks:



Average Illuminance Figure



Lamp Type:single lens
 Tester:ASAHI
 Temperature:25.3deg
 Manufacturer:ASAHI

Luminaires Type:CREE XPG
 Test Date:2016-08-4
 Humidity:65%
 Remarks:



15-9-30

UL Certification

iq.ul.com

Component - Plastics [guide info]

E256044

MITSUBISHI RAYON POLYMER NANTONG CO LTD

NANTONG ECONOMIC & TECH DEV AREA, 6 GUANGZHOU RD, NANTONG JIANGSU 226009 CN

VH(ww)(f1), VH(f1), VHM(f1), VHS(f1)

Polymethyl Methacrylate (PMMA), "Shinkolite-P, Acrypet", furnished as pellets

Color	Min Thk (mm)	Flame Class	HWI		RTI		RTI Str
			HWI	HAI	Elec	Imp	
ALL	1.5	HB	4	0	50	50	50
	3.0	HB	3	0	50	50	50

Comparative Tracking Index (CTI): -

Inclined Plane Tracking (IPT): -

Dielectric Strength (kV/mm): -

Volume Resistivity (10^Xohm-cm): -

High-Voltage Arc Tracking Rate (HVTR): -

High Volt, Low Current Arc Resis (D495): -

Dimensional Stability (%): -

(f1) - Suitable for outdoor use with respect to exposure to Ultraviolet Light, Water Exposure and Immersion in accordance with UL 746C.

(ww) - With or without a digit 0-3,5,7-9 incl.

ANSI/UL 94 small-scale test data does not pertain to building materials, furnishings and related contents. ANSI/UL 94 small-scale test data is intended solely for determining the flammability of plastic materials used in the components and parts of end-product devices and appliances, where the acceptability of the combination is determined by UL.

Report Date: 2013-01-02

Last Revised: 2013-01-23

© 2015 UL LLC



IEC and ISO Test Methods

Test Name	Test Method	Units	Thk (mm)	Value
Flammability	IEC 60695-11-10	Class (color)	1.5	HB75 (ALL)
			3.0	HB40 (ALL)
Glow-Wire Flammability (GWFI)	IEC 60695-2-12	C	-	-
Glow-Wire Ignition (GWIT)	IEC 60695-2-13	C	-	-
IEC Comparative Tracking Index	IEC 60112	Volts (Max)	-	-
IEC Ball Pressure	IEC 60695-10-2	C	-	-
ISO Heat Deflection (1.80 MPa)	ISO 75-2	C	-	-
ISO Tensile Strength	ISO 527-2	MPa	-	-
ISO Flexural Strength	ISO 178	MPa	-	-
ISO Tensile Impact	ISO 8256	kJ/m ²	-	-
ISO Izod Impact	ISO 180	kJ/m ²	-	-
ISO Charpy Impact	ISO 179-2	kJ/m ²	-	-